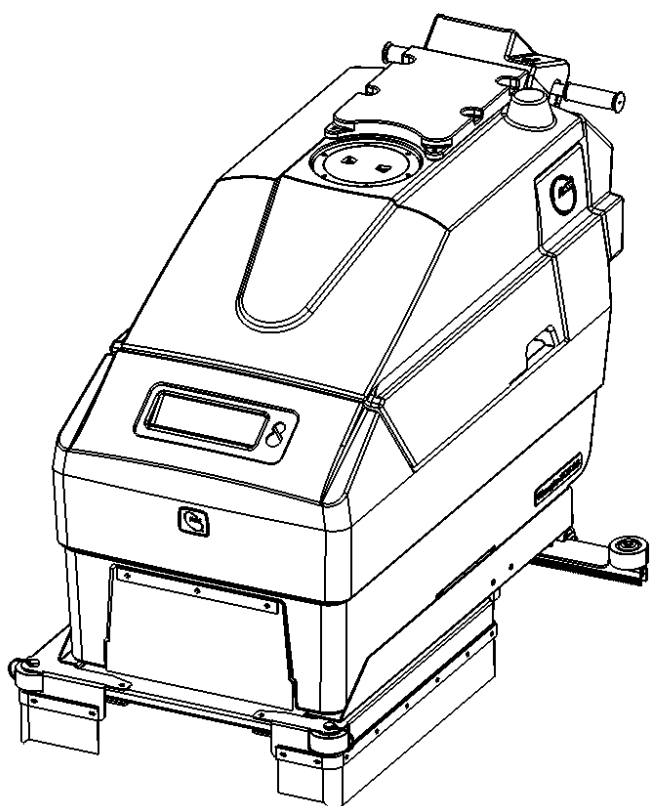
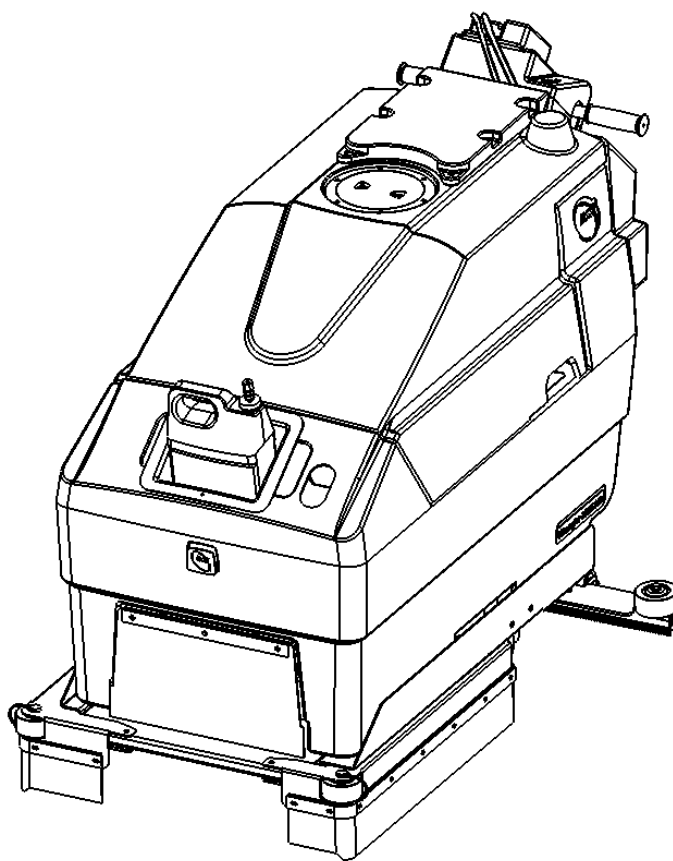


PARTS LIST

WRANGLER 2625 DB



WITHOUT SIDEKICK CHEMICAL
METERING



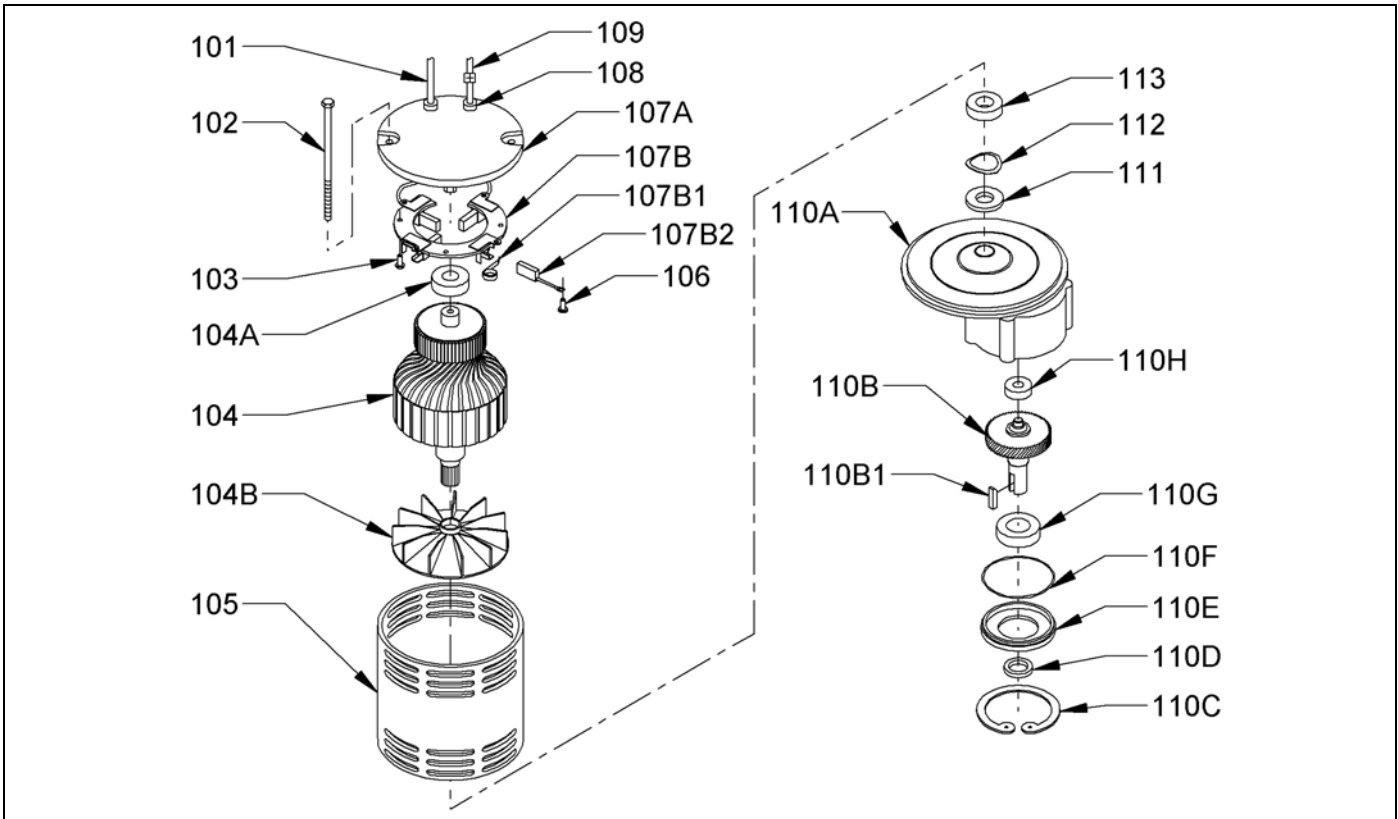
WITH SIDEKICK CHEMICAL
METERING



SAVE THESE INSTRUCTIONS

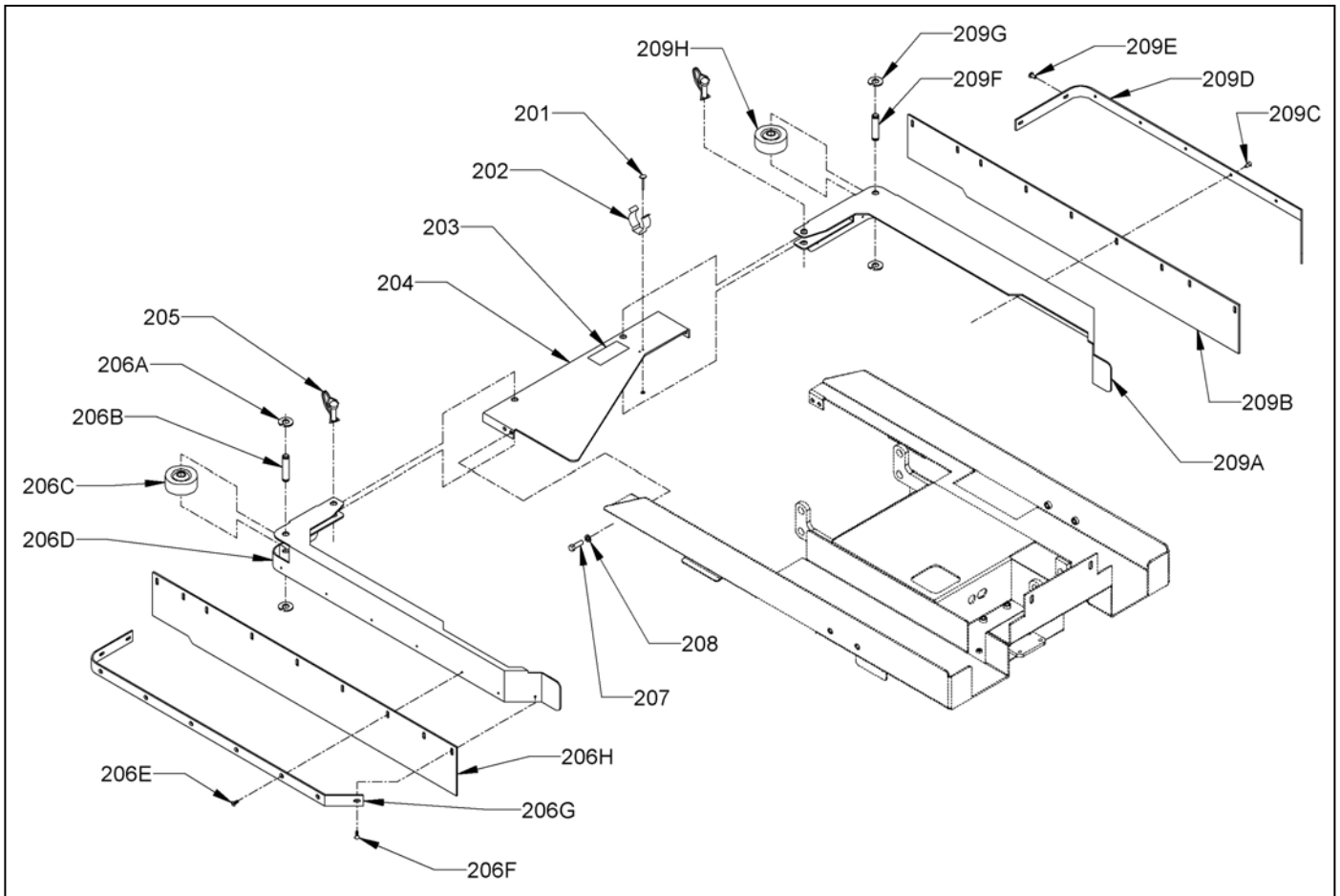


BRUSH GEAR MOTOR



<u>ITEM</u>	<u>PART NO.</u>	<u>PART DESCRIPTION</u>	<u>QTY.</u>
	2393001	COMPLETE MOTOR ASSEMBLY	1
101	3391221	NEGATIVE LEAD	1
102	3391201	1/4-20 X 7 3/4 THRU BOLT	2
103	—	#10-24 X 1/2 SELF TAP ROUND HEAD SLOTTED SCREW	2
104	—	ARMATURE ASSEMBLY - INCLUDES:	1
104A	5092041	TOP END BEARING	1
104B	3391191	ARMATURE VENT FAN	1
105	3391041	STATOR FRAME ASSEMBLY WITH MAGNETS	1
106	—	#10-32 X 1/2 PAN HEAD SLOTTED SCREW, BRASS	4
107	—	TOP END BRACKET WITH BRUSH BOARD ASSEMBLY - INCLUDES:	1
107A	—	TOP END BRACKET ONLY	1
107B	3391021	BRUSH BOARD ASSEMBLY - INCLUDES:	1
107B1	3391081	CARBON BRUSH	4
107B2	2797571	CARBON BRUSH SPRING	4
108	—	STRAIN RELIEF	2
109	3391211	POSITIVE LEAD	1
110	3391181	GEAR BOX ASSEMBLY - INCLUDES:	1
110A	3391101	GEAR BOX - HOUSING ONLY	1
110B	3391121	GEAR SHAFT - INCLUDES:	1
110B1	2792681	1/4 X 1/4 X 1 MOTOR KEY	1
110C	3391171	SNAP RING	1
110D	3391161	OIL SEAL - SMALL	1
110E	3391151	END CAP	1
110F	3391141	"O" RING	1
110G	3391131	BOTTOM BEARING - LARGE	1
110H	3391111	TOP BEARING - SMALL	1
111	3391091	OIL SEAL - LARGE	1
112	2797591	1 13/32 I.D. X 1 7/8 O.D. 2 WAVE SPRING WASHER	1
113	3391131	BOTTOM END BEARING	1

SIDE SKIRT ASSEMBLY

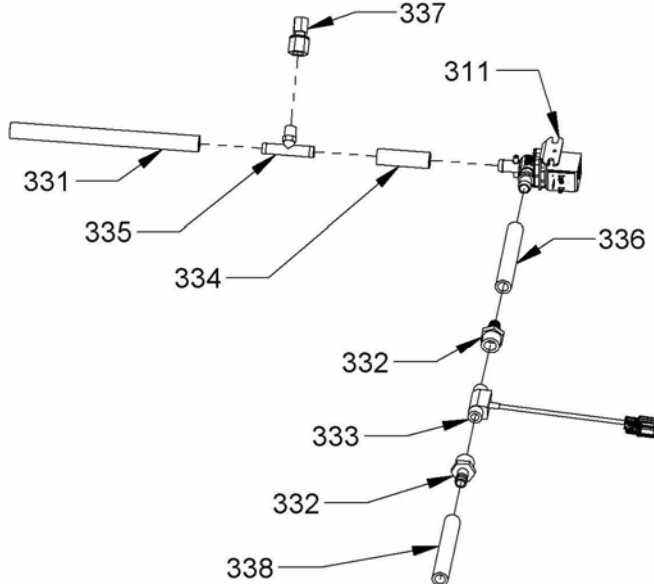
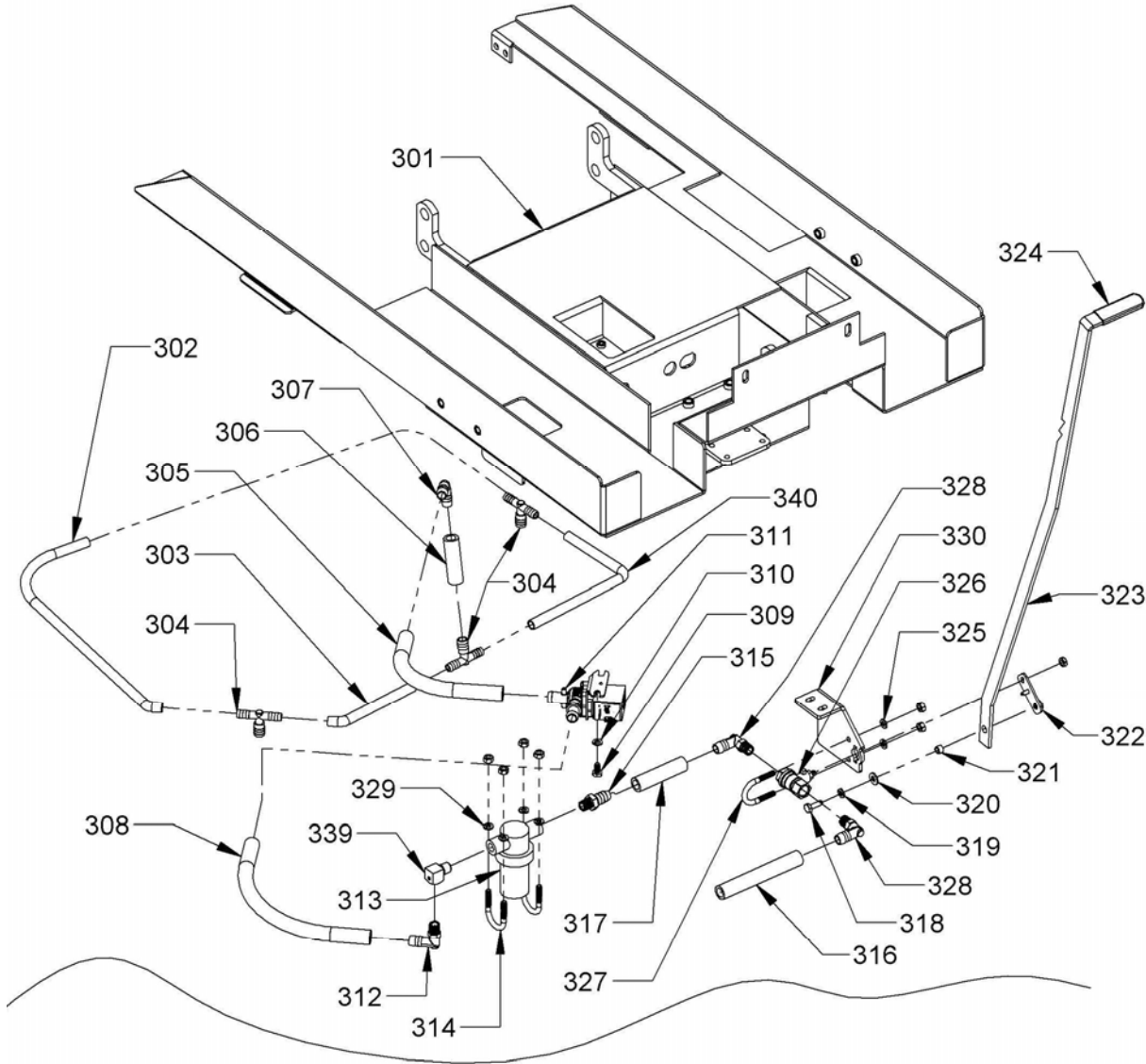


ITEM	PART NO.	DESCRIPTION	QTY.
201	9120301	1/8 X 1/4 RIVET BLIND - DOME HEAD - PACK OF 10	2
202	7691921	SPRING CLIP, HOSE	1
203	2695421	COLOR LABEL KIT - RECOVERY TANK DRAIN	1
204	2490153	SKIRT MOUNT BRACKET	1
205	9121950	3/8 X 1 5/8 CLEVIS PIN WITH RETAINER - PACK OF 1	2
206	2499019	LEFT SKIRT ASSEMBLY - INCLUDES:	1
206A	9122496	RETAINING RING - PACK OF 8	2
206B	2490311	AXLE -BUMPER WHEEL	1
206C	2790281	3" BUMPER WHEEL	1
206D	2490223	LEFT SKIRT	1
206E	9120540	#10-24 X 1/2 FLAT HEAD PHILLIPS MACHINE SCREW - PACK OF 10	6
206F	9120410	#10-24 X 1/2 ROUND HEAD PHILLIPS MACHINE SCREW - PACK OF 10	3
206G	2490261	LEFT SKIRT STRAP	1
206H	2490241	LEFT WIPER	1
207	9121640	5/16-18 X 3/4 HEX BOLT - PACK OF 5	4
208	9121520	5/16 SPLIT LOCK WASHER - PACK OF 10	4
209	2499029	RIGHT SKIRT ASSEMBLY - INCLUDES:	1
209A	2490233	RIGHT SKIRT	1
209B	2490251	RIGHT WIPER	1
209C	9120540	#10-24 X 1/2 FLAT HEAD PHILLIPS MACHINE SCREW - PACK OF 10	5
209D	2490271	RIGHT SKIRT STRAP	1
209E	9120410	#10-24 X 1/2 ROUND HEAD PHILLIPS MACHINE SCREW - PACK OF 10	4
209F	2490311	AXLE -BUMPER WHEEL	1
209G	9122496	RETAINING RING	2
209H	2790281	3" BUMPER WHEEL	1

SOLUTION VALVE ASSEMBLY

<u>ITEM</u>	<u>PART NO.</u>	<u>DESCRIPTION</u>	<u>QTY</u>
301	2694581	CHASSIS	1
302	8791070	3/8 I.D. X 1/2 O.D. VINYL TUBING (20-1/4" LONG)	1.7'
303	8791070	3/8 I.D. X 1/2 O.D. VINYL TUBING (6- 1/8" LONG)	.5'
304	7691371	TEE, BARBED, 3/8 X 3/8 X 1/2	3
305	8791180	1/2 I.D. X 3/4 O.D. VINYL TUBING (16-1/2" LONG)	1.4'
306	8791180	1/2 I.D. X 3/4 O.D. VINYL TUBING (1-3/4" LONG)	.15'
307	2693261	ELBOW, BARBED, 1/2 X 1/2	1
308	8791180	1/2 I.D. X 3/4 O.D. VINYL TUBING (11-1/4" LONG)	.94'
309	9121170	1/4-20 X 1/2 HEX HEAD PHILLIPS MACHINE SCREW - PACK OF 5	1
310	9120880	1/4 SPLIT LOCK WASHER - PACK OF 10	2
311	2397991	SOLUTION SOLENOID VALVE	1
312	2495151	ELBOW, 90°, 1/4 M-NPT X 1/2 BARB	1
313	3393551	INLINE CANISTER STRAINER (INCLUDES)	1
	3393611	STRAINER ELEMENT	1
	3394559	KIT, BOWL AND GASKET (INCLUDES)	1
	3393621	GASKET	1
	3392731	BOWL	1
314	9123140	U-BOLT, 1/4-20 X 1 X 1 3/4 - PACK OF 1	2
315	2495161	FITTING, 1/4 M-NPT X 1/2 BARB	1
316	8791180	1/2 I.D. X 3/4 O.D. VINYL TUBING (11.5" LONG)	.96'
317	8791180	1/2 I.D. X 3/4 O.D. VINYL TUBING (3" LONG)	.3'
318	9121250	1/4-20 X 3/4 HEX BOLT - PACK OF 10	1
319	9120880	1/4 SPLIT LOCK WASHER - PACK OF 10	1
320	9120930	9/32 I.D. X 5/8 O.D. X .051/.080 THICK SAE FLAT WASHER (1/4) - PACK OF 10	1
321	2791281	BUSHING SPACER	1
322	2693041	SOLUTION VALVE LEVER	1
323	2690283	SOLUTION VALVE LEVER	1
324	2391181	GRIP - VALVE LEVER	1
325	9120910	1/4-20 HEX NUT WITH STAR LOCK WASHER - PACK OF 10	2
326	2397961	SOLUTION VALVE	1
327	9123140	U-BOLT, 1/4-20 X 1 X 1 3/4 - PACK OF 1	1
328	2495151	ELBOW, 90°, 1/4 M-NPT X 1/2 BARB	2
329	9120910	1/4-20 HEX NUT WITH STAR LOCK WASHER - PACK OF 10	4
330	2693011	SOLUTION VALVE BRACKET	1
331	8791180	1/2 I.D. X 3/4 O.D. VINYL TUBING (13-1/4" LONG) (SIDEKICK ONLY)	1.1'
332	3394281	FITTING, 3/8 FPT X 1/2 HOSE BARB (SIDEKICK ONLY)	2
333	3394251	FLOW SENSOR WITH CONNECTOR (SIDEKICK ONLY) INCLUDES:	1
	3394291	CONNECTOR, FEMALE-SIDEKICK SENSOR	1
	3394311	TERMINAL, FEMALE FOR 3394291	3
334	8791180	1/2 I.D. X 3/4 O.D. VINYL TUBING (4-3/4" LONG) (SIDEKICK ONLY)	.40'
335	9590161	FITTING, TEE 1/2 HOSE BARB X 1/4MPT (SIDEKICK ONLY)	1
336	8791180	1/2 I.D. X 3/4 O.D. VINYL TUBING (2-3/4" LONG) (SIDEKICK ONLY)	.23'
337	9590221	FITTING, JACO 1/4NPT X 1/4 OD TUBE (SIDEKICK ONLY)	1
338	8791180	1/2 I.D. X 3/4 O.D. VINYL TUBING (2-1/2" LONG) (SIDEKICK ONLY)	.21'
339	2795851	90° ELBOW, BRASS, 1/4 M-NPT X 1/4 F-NPT	1
340	8791070	3/8 I.D. X 1/2 O.D. VINYL TUBING (13-1/2" LONG)	1.1'
341	9120910	1/4-20 HEX NUT WITH STAR LOCK WASHER - PACK OF 10	2
342	9121170	1/4-20 X 1/2 HEX HEAD PHILLIPS MACHINE SCREW - PACK OF 5	1

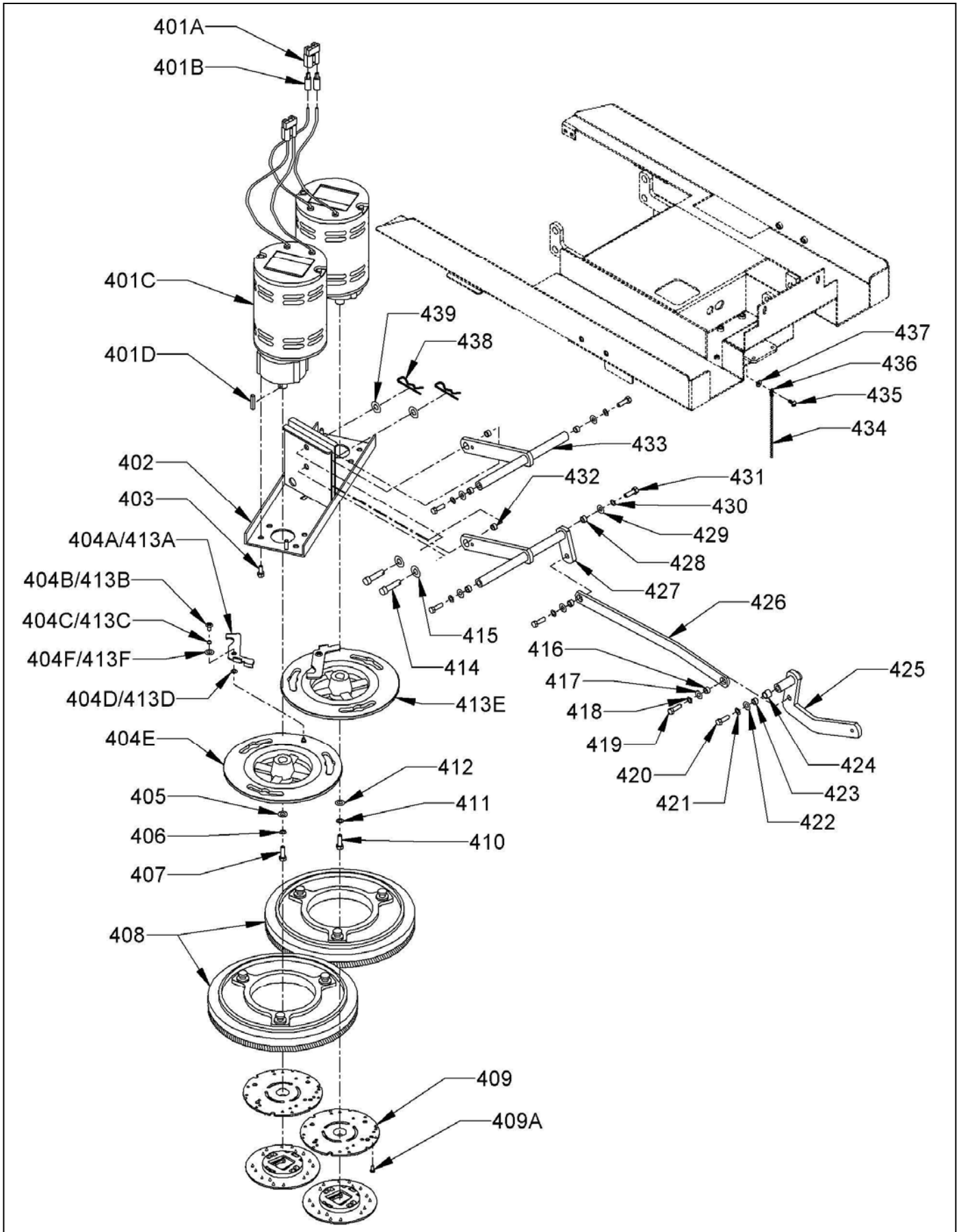
SOLUTION VALVE ASSEMBLY



BRUSH MOTOR ASSEMBLY

<u>ITEM</u>	<u>PART NO.</u>	<u>DESCRIPTION</u>	<u>QTY</u>
401	2499049	GEAR MOTOR - 3/4HP - 24 VOLT DC ASSEMBLY - INCLUDES:	2
401A	2391901	CHARGER PLUG - RED 24 VOLT	2
401B	4490721	CONTACT PINS - ANDERSON	4
401C	2393001	GEAR MOTOR - 3/4HP - 24 VOLT DC	2
401D	2792681	1/4 SQUARE X 1 LONG KEY - STEEL	2
402	2490173	BRUSH MOTOR MOUNT	1
403	9122220	3/8-16 X 3/4 HEX BOLT - PACK OF 5	8
404	2792499	LEFT BRUSH DRIVE PLATE ASSEMBLY - INCLUDES:	1
404A	2790211	BRUSH PLATE LATCH	1
404B	9121090	1/4-20 X 1/2 TRUSS HEAD PHILLIPS MACHINE SCREW - PACK OF 5	1
404C	2791281	BUSHING SPACER	1
404D	9122120	3/8 I.D. X 5/8 O.D. X .031 THICK 1 WAVE SPRING WASHER (3/8) - PACK OF 5	1
404E	2790202	BRUSH DRIVE PLATE	1
404F	9121390	11/32 I.D. X 11/16 O.D. X .051/.080 THICK SAE FLAT WASHER (5/16) - PACK OF 10	1
405	9121400	3/8 I.D. X 7/8 O.D. X .064/.104 THICK WROUGHT WASHER (5/16) - PACK OF 10	1
406	9121520	5/16 SPLIT LOCK WASHER - PACK OF 10	1
407	9121680	5/16-18 X 1 HEX BOLT - PACK OF 5	1
408	2694491	13" PAD DRIVER - SEE ACCESSORY PAGE FOR TYPES OF BRUSHES	2
409	5990731	SPRING CLIP PAD HOLDER SET - INCLUDES:	2
409A	9120506	#8 X 5/8 PAN HEAD SHEET METAL SCREW - PACK OF 5	3
410	9121680	5/16-18 X 1 HEX BOLT - PACK OF 5	1
411	9121520	5/16 SPLIT LOCK WASHER - PACK OF 10	1
412	9121400	3/8 I.D. X 7/8 O.D. X .064/.104 THICK WROUGHT WASHER (5/16) - PACK OF 10	1
413	2792489	RIGHT BRUSH DRIVE PLATE ASSEMBLY - INCLUDES:	1
413A	2790211	BRUSH PLATE LATCH	1
413B	9121090	1/4-20 X 1/2 TRUSS HEAD PHILLIPS MACHINE SCREW - PACK OF 5	1
413C	2791281	BUSHING SPACER	1
413D	9122120	3/8 I.D. X 5/8 O.D. X .031 THICK 1 WAVE SPRING WASHER (3/8) - PACK OF 5	1
413E	2790202	BRUSH DRIVE PLATE	1
413F	9121390	11/32 I.D. X 11/16 O.D. X .051/.080 THICK SAE FLAT WASHER (5/16) - PACK OF 10	1
414	9122561	1/2 X 1 1/4 CLEVIS PIN - PACK OF 1	2
415	9122450	17/32 I.D. X 1 1/16 O.D. X .074/.121 THICK SAE FLAT WASHER (1/2) - PACK OF 5	2
416	2391461	BUSHING SPACER	2
417	9122450	17/32 I.D. X 1 1/16 O.D. X .074/.121 THICK SAE FLAT WASHER (1/2) - PACK OF 5	2
418	9122420	1/2 SPLIT LOCK WASHER - PACK OF 5	2
419	9122530	1/2-13 X 1 HEX BOLT - PACK OF 1	2
420	9122650	1/2-13 X 2 1/4 HEX BOLT - PACK OF 1	1
421	9122420	1/2 SPLIT LOCK WASHER - PACK OF 5	1
422	9122450	17/32 I.D. X 1 1/16 O.D. X .074/.121 THICK SAE FLAT WASHER (1/2) - PACK OF 5	1
423	2790751	BUSHING SPACER	1
424	4492791	PIVOT BUSHING	1
425	2490211	BRUSH LIFT ARM - REAR	1
426	2490201	BRUSH LIFT BAR	1
427	2490181	BRUSH LIFT ARM - FRONT	1
428	2790751	BUSHING SPACER	4
429	9122450	17/32 I.D. X 1 1/16 O.D. X .074/.121 THICK SAE FLAT WASHER (1/2) - PACK OF 5	4
430	9122420	1/2 SPLIT LOCK WASHER - PACK OF 5	4
431	9122550	1/2-13 X 1 1/2 HEX BOLT - PACK OF 1	4
432	2790751	BUSHING SPACER	2
433	2490191	BRUSH LIFT ARM GUIDE	1
434	6491860	ROUND BEAD CHAIN (6" LONG)	.5'
435	9120510	#10-24 X 1/2 TRUSS HEAD PHILLIPS MACHINE SCREW - PACK OF 10	1
436	6491871	END COUPLING ROUND BEAD CHAIN	1
437	9120330	#10 EXTERNAL STAR LOCK WASHER - PACK OF 10	1
438	9121413	5/16 X 1 HAIRPIN COTTER PIN - PACK OF 5	2
439	9122450	17/32 I.D. X 1 1/16 O.D. X .074/.121 THICK SAE FLAT WASHER (1/2) - PACK OF 5	2

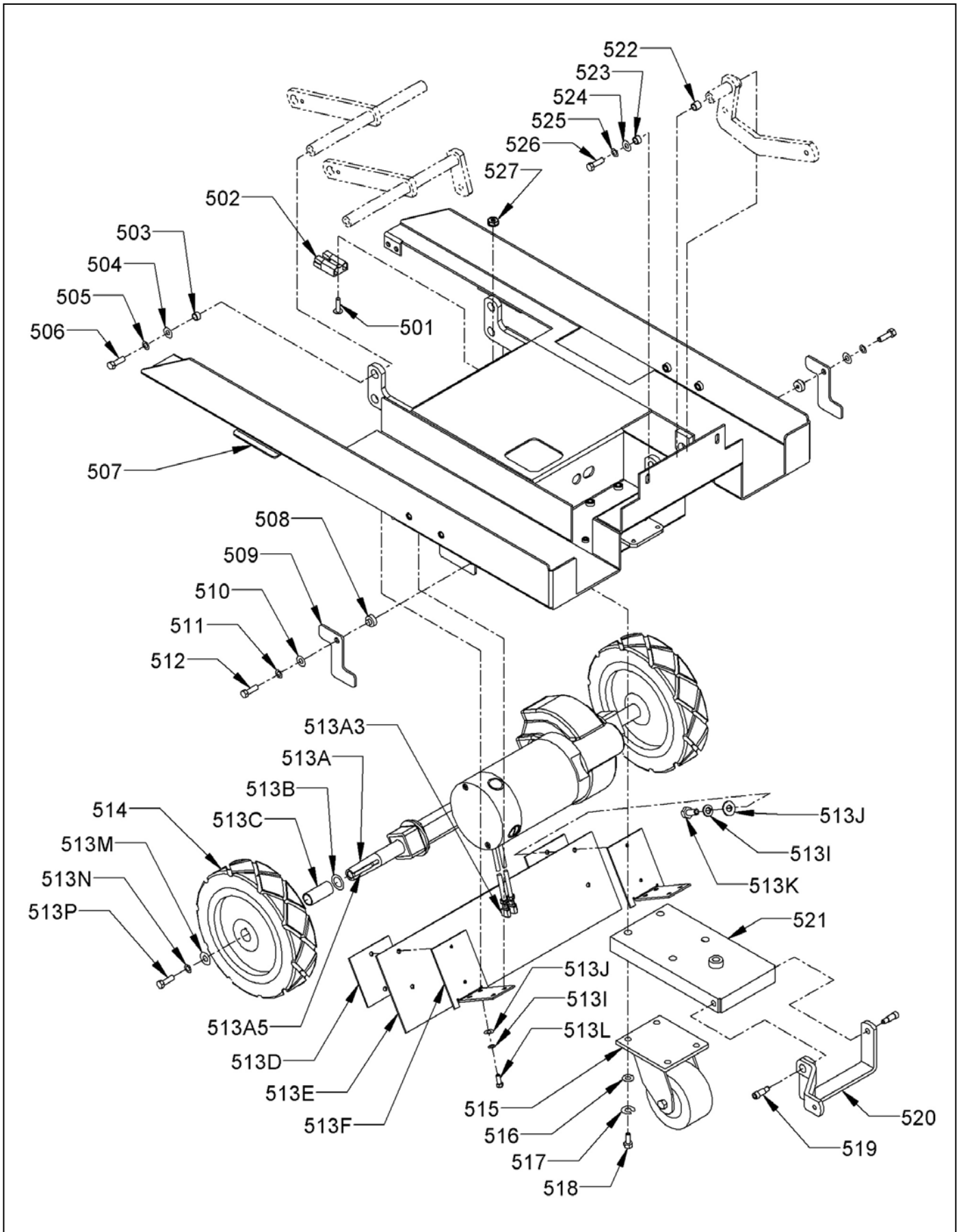
BRUSH MOTOR ASSEMBLY



TRANSAXLE AND FRAME ASSEMBLY

<u>ITEM</u>	<u>PART NO.</u>	<u>DESCRIPTION</u>	<u>QTY</u>
501	9120090	#6-32 X 7/8 PAN HEAD PHILLIPS MACHINE SCREW - PACK OF 10	4
502	2391901	CHARGER PLUG - RED - 24VOLTS	2
503	2790751	BUSHING SPACER	4
504	9122450	17/32 I.D. X 1 1/16 O.D. X .074/.121 THICK SAE FLAT WASHER (1/2) - PACK OF 5	4
505	9122420	1/2 SPLIT LOCK WASHER - PACK OF 5	4
506	9122550	1/2-13 X 1 1/2 HEX BOLT - PACK OF 1	4
507	2694581	CHASSIS	1
508	2691771	PIN, SKIRT LATCH	2
509	2490651	SKIRT LATCH	2
510	9120930	9/32 I.D. X 5/8 O.D. X .051/.080 THICK SAE FLAT WASHER (1/4) - PACK OF 10	2
511	9120880	1/4 SPLIT LOCK WASHER - PACK OF 10	2
512	9121250	1/4-20 X 3/4 HEX BOLT - PACK OF 10	2
513	2695729	TRANSAXLE 23 5/8 KIT - INCLUDES:	1
513A	2695721	TRANSAXLE, ALLOY AXLES - INCLUDES:	1
513A1	-----	MOTOR - INCLUDES:	1
	2693181	BRUSH KIT (SET OF 4)	1
513A2	-----	RUBBER GROMMET	2
513A3	2690581	1/4 SPADE MALE TERMINAL 10-12 AWG YELLOW	2
513A5	9120826	3/16 SQUARE X 1 1/4 LONG KEY - STEEL - PACK OF 1	2
513B	9123105	3/4 ID X 1 1/4 OD WASHER PACK OF 5	2
513C	8791030	VINYL HOSE - 3/4 I.D. X 1" O.D. X 1 5/8" LONG EACH (2 PIECES)	.27'
513D	2692971	TRANSAXLE FLAP BRACKET	2
513E	2692961	TRANSAXLE FLAP	1
513F	2692951	TRANSAXLE BRACKET	2
513G	2693291	930-AA GREASE 1.75 OZ. (NOT SHOWN)	1
513H	2693131	W 26 TRANSAXLE KIT INSTRUCTION	1
513I	9120880	1/4 SPLIT LOCK WASHER PACK OF 10	8
513J	9120930	9/32 ID X 5/8 OD FLAT WASHER PACK OF 10	8
513K	9121210	1/4-20 X 5/8 HEX BOLT - PACK OF 10	4
513L	9121250	1/4-20 X 3/4 HEX BOLT - PACK OF 10	4
513M	9121400	3/8 I.D. X 7/8 O.D. X .064/.104 THICK WROUGHT WASHER (5/16) - PACK OF 10	2
513N	9122100	3/8 SPLIT LOCK WASHER - PACK OF 10	2
513P	9122220	3/8-16 X 3/4 HEX BOLT PACK OF 5	2
514	2396351	DRIVE WHEEL - 8" X 2"	2
515	6492331	RED 4 INCH CASTER	1
515A	4490391	RED CASTER - WHEEL ONLY	1
516	9122180	13/32 I.D. X 13/16 O.D. X .051 THICK FLAT WASHER - PACK OF 10	4
517	9122100	3/8 SPLIT LOCK WASHER - PACK OF 10	4
518	9122260	3/8-16 X 1 HEX BOLT - PACK OF 2	4
519	9121500	5/16 X 1/2 SOCKET HEAD SHOULDER BOLT (1/4-20) - PACK OF 1	2
520	2490751	SQUEEGEE LIFT	1
521	2490741	SQUEEGEE MOUNT BRACKET	1
522	4492791	PIVOT BUSHING	1
523	2790751	BUSHING SPACER	1
524	9122450	17/32 I.D. X 1 1/16 O.D. X .074/.121 THICK SAE FLAT WASHER (1/2) - PACK OF 5	1
525	9122420	1/2 SPLIT LOCK WASHER - PACK OF 5	1
526	9122650	1/2-13 X 2 1/4 HEX BOLT - PACK OF 1	1
527	9120020	#6-32 HEX NUT WITH STARLOCK WASHER - PACK OF 10	4

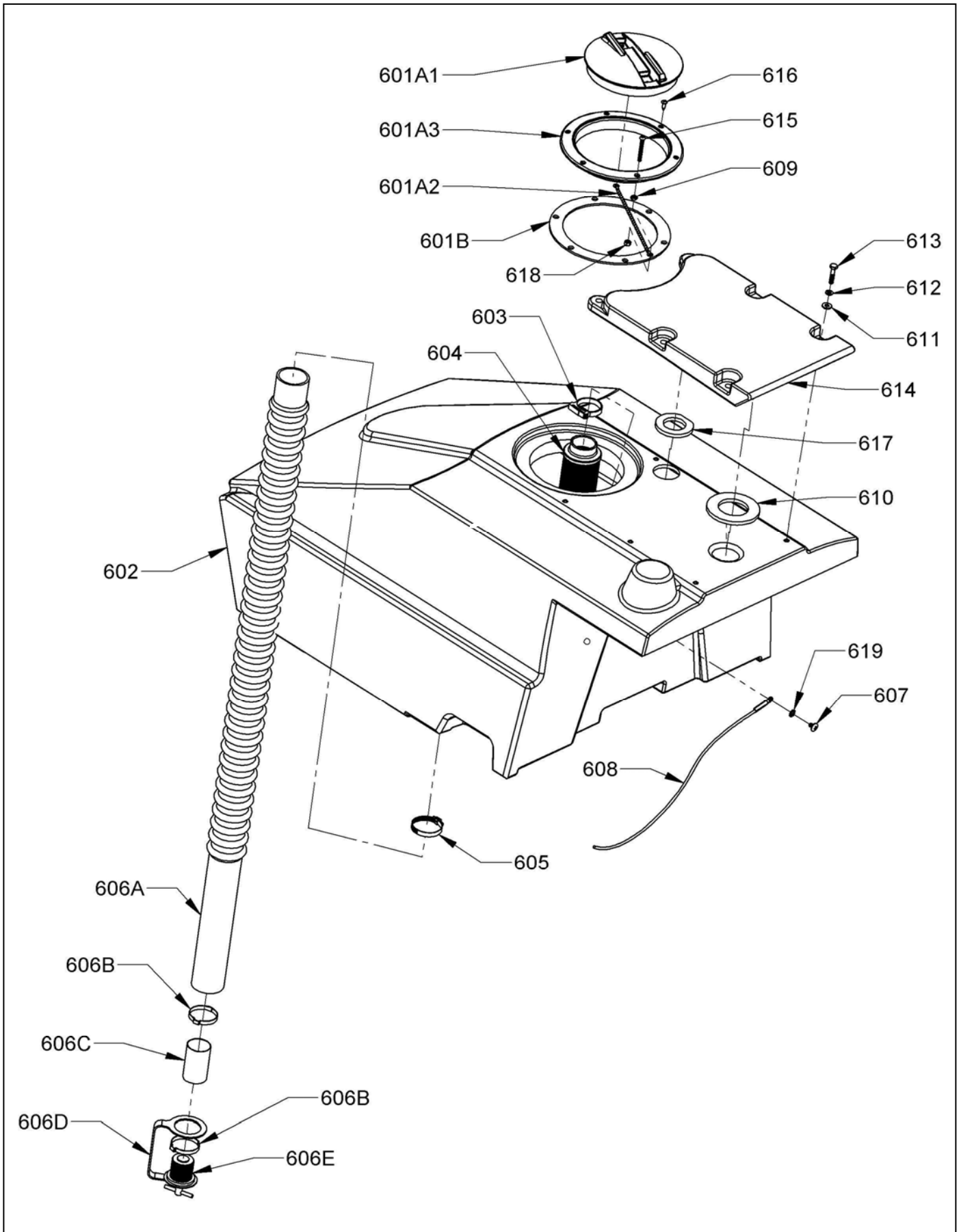
TRANSAXLE AND FRAME ASSEMBLY



RECOVERY TANK ASSEMBLY

<u>ITEM</u>	<u>PART NO.</u>	<u>DESCRIPTION</u>	<u>QTY</u>
601	2690889	RECOVERY TANK LID AND GASKET ASSEMBLY - INCLUDES:	1
601A	2690881	RECOVERY TANK LID ASSEMBLY - INCLUDES:	1
601A1	2690911	CLEAR TANK LID	1
601A3	2690921	LID MOUNTING RING	1
601A2	2690931	LID RETAINING CHAIN	1
601A4	9120205	#8 X 1/2 PAN HEAD PHILLIPS SHEET METAL SCREW - PACK OF 3 (NOT SHOWN)	1
601B	2690891	RING GASKET	1
602	2694601	RECOVERY TANK	1
603	4894081	HOSE CLAMP - 1.593" TO 1.812" DIAMETER	1
604	2391541	FLOAT SCREEN ASSEMBLY	1
605	4495441	NYLON HOSE CLAMP 11 9/16" TO 2 1/2" DIAMETER	1
606	2699149	DRAIN HOSE, RECOVERY TANK, INLCUDES:	1
606A	2691121	DRAIN HOSE, RECOVERY TANK	1
606B	2393451	HOSE CLAMP, 1 13/16" DIAMETER	2
606C	2391661	HOSE TUBE	1
606D	2791881	PLUG STRAP	1
606E	2795621	DRAIN PLUG	1
607	9120990	1/4-20 X 3/8 TRUSS HEAD PHILLIPS MACHINE SCREW - PACK OF 5	2
608	2690961	RECOVERY TANK HOLDING STRAP	1
609	9120360	#10-24 HEX NUT WITH STAR LOCK WASHER - PACK OF 10	1
610	2695991	VACUUM COVER GASKET - VACUUM MOTOR	1
611	9120930	9/32 I.D. X 5/8 O.D. X .051/.080 THICK FLAT WASHER (1/4)-PACK OF 10	6
612	9120880	1/4 SPLIT LOCK WASHER - PACK OF 10	6
613	9121270	1/4-20 X 1 HEX BOLT - PACK OF 10	6
614	2490321	TOP VAC BOX	1
615	9120470	#10-24 X 1 1/2 ROUND HEAD PHILLIPS MACHINE SCREW - PACK OF 10	1
616	9120205	#8 X 1/2 PAN HEAD PHILLIPS SHEET METAL SCREW - PACK OF 3	5
617	2696001	VACUUM COVER GASKET - RECOVERY TANK	1
618	9120360	#10-24 HEX NUT WITH STAR LOCK WASHER – PACK OF 10	1
619	9120970	1/4 EXTERNAL STAR LOCK WASHER - PACK OF 10	1

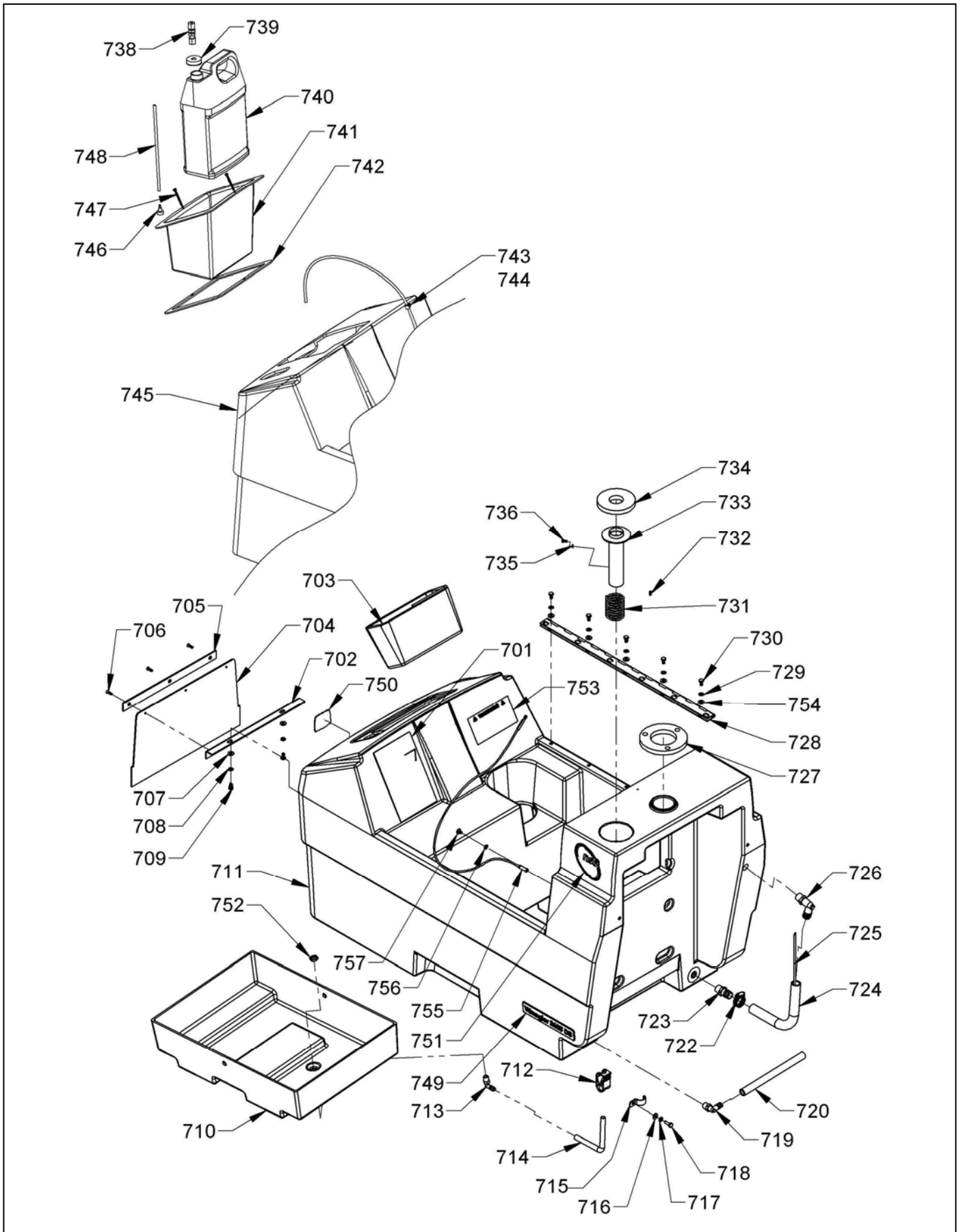
RECOVERY TANK ASSEMBLY



SOLUTION TANK ASSEMBLY

<u>ITEM</u>	<u>PART NO.</u>	<u>DESCRIPTION</u>	<u>QTY</u>
701	2695421	COLOR LABEL KIT - BATTERY HOOK UP	1
702	2490361	FRONT COVER BRACKET	1
703	7691249	FILTER ASSEMBLY - SOLUTION TANK - INCLUDES:	1
703A	4891311	FILTER BAG SCREEN	1
703B	7691231	FILTER BAG FRAME	1
704	2490351	FRONT COVER	1
705	2490341	FRONT COVER RETAINER	1
706	9120550	#10-24 X 5/8 FLAT HEAD PHILLIPS MACHINE SCREW - PACK OF 10	3
707	9120930	9/32 I.D. X 5/8 O.D. X .051/.080 THICK FLAT WASHER (1/4)-PACK OF 10	2
708	9120880	1/4 SPLIT LOCK WASHER - PACK OF 10	2
709	9121170	1/4-20 X 1/2 HEX BOLT - PACK OF 10	2
710	2698311	BATTERY TRAY	1
711	2694591	SOLUTION TANK	1
712	3390661	TUBING CONTROL VALVE	1
713	2490601	FITTING ELL - 3/8 BARB X 1/4 MNPT	1
714	8791070	VINYL HOSE - 3/8 I.D. X 1/2" O.D. X 36" LONG	3'
715	2690971	HOSE CLIP	1
716	9120930	9/32 I.D. X 5/8 O.D. X .051/.080 THICK FLAT WASHER (1/4)-PACK OF 10	1
717	9120880	1/4 SPLIT LOCK WASHER - PACK OF 10	1
718	9121270	1/4-20 X 1 HEX BOLT - PACK OF 10	1
719	2691961	1/2 HOSE BARB 90 DEGREE X 3/8 MPT PLASTIC	1
720	8791180	1/2" I.D. X 3/4" O.D. VINYL TUBING (11.5" LONG)	0.96'
722	2392141	HOSE CLAMP - 11/16" TO 1 1/4" DIAMETER	1
723	2691731	SOLUTION TANK DRAIN FITTING	1
724	8791030	VINYL HOSE - 3/4 I.D. X 1" O.D. X 21 1/2" LONG	1.8'
725	2690811	SOLUTION DRAIN HOSE GAUGE	1
726	2391771	90 DEGREE HOSE BARB 3/4 I.D. X 1/2 NPT	1
727	2692761	GASKET - VAC TUBE	1
728	2490371	RECOVERY TANK HINGE	1
729	9120970	1/4 EXTERNAL STAR LOCK WASHER - PACK OF 10	11
730	9121170	1/4-20 X 1/2 HEX BOLT - PACK OF 10	11
731	2391581	SPRING - TUBE ADAPTOR	1
732	9120360	#10-24 HEX NUT WITH STAR LOCK WASHER - PACK OF 10	1
733	2690851	TUBE ADAPTOR	1
734	2690861	GASKET - TUBE ADAPTOR	1
735	9120320	#10 SPLIT LOCK WASHER - PACK OF 10	1
736	9120380	#10-24 X 3/8 ROUND HEAD PHILLIPS MACHINE SCREW - PACK OF 10	1
738	9590281	FITTING, BULKHEAD (SIDEKICK ONLY)	1
739	9590271	CAP, BOTTLE WITH HOLE (SIDEKICK ONLY)	1
740	9590171	BOTTLE, F-STYLE (OPTIONAL, SIDEKICK ONLY)	1
741	3394211	INSERT, BOTTLE HOLDER (SIDEKICK ONLY)	1
742	3394221	GASKET, BOTTLE HOLDER (SIDEKICK ONLY)	1
743	6793651	CLAMP, CORD (SIDEKICK ONLY)	1
744	9120810	SCREW, SHEETMETAL #10 X 1/2 - PACK OF 10	1
	9590321	TUBING, 1/4" OD NYLON (SIDEKICK ONLY) 20FT	1
745	2694791	SOLUTION TANK, SIDEKICK (SIDEKICK ONLY)	1
746	9590291	BOTTLE STRAINER (SIDEKICK ONLY)	1
747	9120792	#10 X 2" PHILLIPS PAN HEAD SHEETMETAL SCREW - PACK OF 5	2
748	9590321	1/4 OD NYLON TUBING - CUT TO LENGTH AS REQ'D (SIDEKICK ONLY)	1
749	2694941	LABEL SIDE LOGO	2
750	2694931	LABEL NSS LOGO	1
751	2694921	LABEL NSS LOGO OVAL	2
752	6496461	1/4 NPT PLASTIC NUT	1
753	3394141	OBC WARNING LABEL	1
754	9120930	9/32 I.D. X 5/8 O.D. X .051/.080 THICK FLAT WASHER (1/4)-PACK OF 10	11
755	2690961	RECOVERY TANK HOLDING STRAP	1
756	9120970	1/4 EXTERNAL STAR LOCK WASHER - PACK OF 10	1
757	9120990	1/4-20 X 3/8 TRUSS HEAD PHILLIPS MACHINE SCREW - PACK OF 5	1

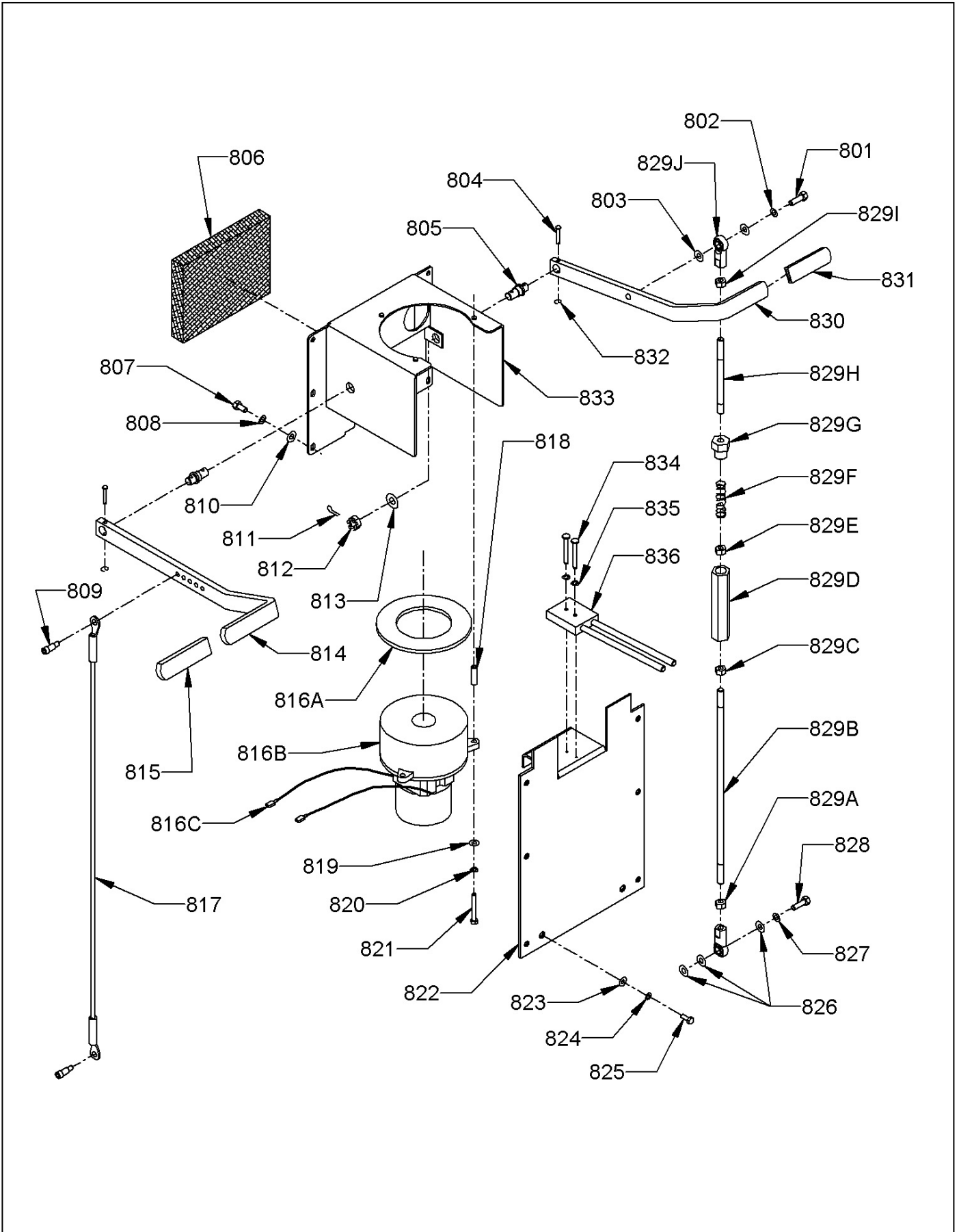
SOLUTION TANK ASSEMBLY



LIFT LEVER ASSEMBLY

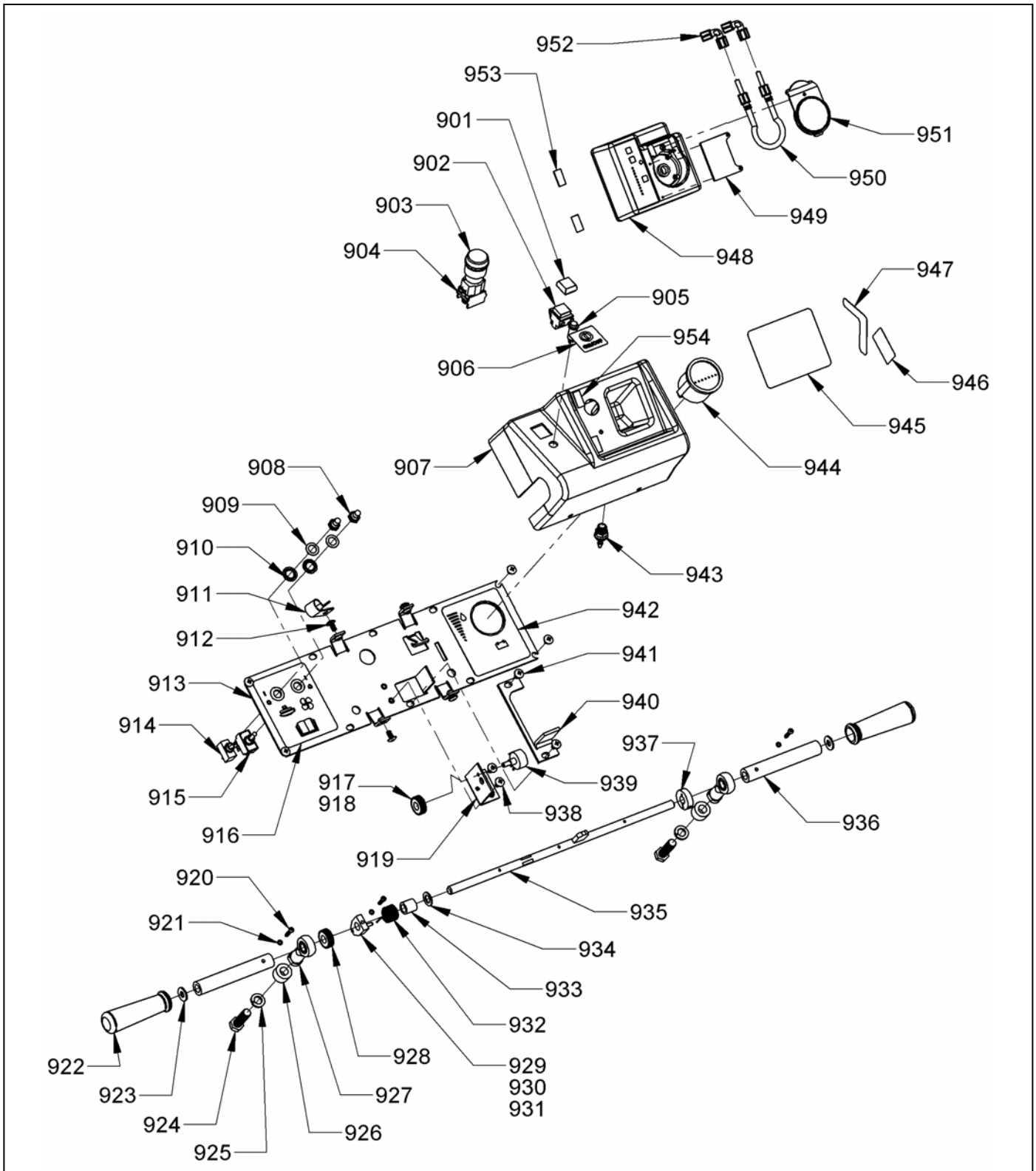
<u>ITEM</u>	<u>PART NO.</u>	<u>DESCRIPTION</u>	<u>QTY</u>
801	9122260	3/8-16 X 1 HEX BOLT - PACK OF 2	1
802	9122100	3/8 SPLIT LOCK WASHER - PACK OF 10	1
803	9121980	7/16 I.D. X 1 O.D. X .075/.080 THICK FLAT WASHER (3/8)-PACK OF 2	2
804	2391951	3/16 X 1 CLEVIS PIN - PACK OF 1	2
805	2490661	PIVOT STUD	2
806	2691041	FILTER MUFFLER	1
807	9121210	1/4-20 X 5/8 HEX BOLT - PACK OF 10	6
808	9120970	1/4 EXTERNAL STAR LOCK WASHER - PACK OF 10	6
809	9122020	3/8 X 3/8 SOCKET HEAD SHOULDER BOLT - PACK OF 1	2
810	9120930	9/32 I.D. X 5/8 O.D. X .051/.080 THICK FLAT WASHER (1/4)-PACK OF 2	6
811	9120312	3/8 X 1 HUMPED COTTER PIN - PACK OF 5	2
812	9122675	1/2-13 HEX SLOTTED NUT - PACK OF 1	2
813	9122450	17/32 I.D. X 1 1/16 O.D. X .074/.121 THICK FLAT WASHER (1/2)-PACK OF 5	2
814	2691641	SQUEEGEE LIFT HANDLE	1
815	2690981	HANDLE GRIP	1
816	2499059	VAC MOTOR ASSEMBLY - INCLUDES:	1
816A	2490561	GASKET - VAC MOTOR	1
816B	2395571	3 STAGE VAC MOTOR - 24VOLT - INCLUDES:	1
816B1	2397571	CARBON BRUSH	2
816C	5490161	FULLY INSULATED FEMALE TERMINAL 14-16 AWG	2
817	2694261	LIFT CABLE - SQUEEGEE	1
818	2490691	SPACER - VAC MOUNTING	3
819	9120930	9/32 I.D. X 5/8 O.D. X .051/.080 THICK FLAT WASHER (1/4)-PACK OF 10	3
820	9120880	1/4 SPLIT LOCK WASHER - PACK OF 10	3
821	9121150	1/4-20 X 2 1/4 ROUND HEAD PHILLIPS MACHINE SCREW-PACK OF 2	3
822	2699443	CONTROL PANEL MOUNTING BRACKET	1
823	9121400	3/8 I.D. X 7/8 O.D. X .064/.104 THICK WROUGHT WASHER (5/16) - PACK OF 10	2
824	9121520	5/16 SPLIT LOCK WASHER - PACK OF 10	2
825	9121640	5/16-18 X 3/4 HEX BOLT - PACK OF 5	2
826	9121980	7/16 I.D. X 1 O.D. X .075/.080 THICK FLAT WASHER (3/8)-PACK OF 2	3
827	9122100	3/8 SPLIT LOCK WASHER - PACK OF 10	1
828	9122300	3/8-16 X 1 1/4 HEX BOLT - PACK OF 2	1
829	2699079	COMPLETE BRUSH LIFT ROD ASSEMBLY - INCLUDES:	1
829A	9122010	3/8-24 HEX NUT - PACK OF 5	1
829B	2691801	BRUSH LIFT ROD - MEDIUM	1
829C	9122000	3/8-16 HEX NUT - PACK OF 10	1
829D	2691821	SPRING HOUSING - BRUSH LIFT	1
829E	9122140	3/8-16 HEX NUT WITH NY-LOK INSERT - PACK OF 10	1
829F	2691841	BRUSH PRESSURE SPRING	1
829G	2691831	RETAINER - SPRING HOUSING	1
829H	2691811	BRUSH LIFT ROD - SHORT	1
829I	9122010	3/8-24 HEX NUT - PACK OF 5	1
829J	4490531	3/8 ROD END	2
830	2691373	BRUSH LIFT HANDLE	1
831	2690981	LIFT HANDLE GRIP	1
832	2392561	CIRCLE COTTER	2
833	2695803	VAC MOTOR AND LIFT ARM MOUNT	1
834	9120090	#6-32 X 7/8 PAN HEAD PHILLIPS - PACK OF 10	2
835	9120130	#6 EXTERNAL STAR LOCK WASHER - PACK OF 10	2
836	2699471	WIRE ASSEMBLY: ANDERSON TO SOLENOID/STANDOFF	1

LIFT LEVER ASSEMBLY



<u>ITEM</u>	<u>PART NO.</u>	<u>DESCRIPTION</u>	<u>QTY.</u>
901	4890781	PUSH BUTTON SWITCH BOOT	1
902	2690691	MASTER SWITCH	1
903	3393521	ACTUATOR, EMERGENCY STOP - OPTIONAL	1
904	7691301	EMERGENCY STOP BLOCK - OPTIONAL	1
905	2490481	LIGHT - INDICATOR - GREEN, 24 VOLT, WITH CLIP	1
906	2693491	LABEL, ON/OFF	1
907	2693461	W26 THROTTLE HSNG, SIDEK	1
	2693881	W26 THROTTLE HSNG SIDEK ALDI-OPTIONAL	1
908	0693141	RUBBER SWITCH BOOT	2
909	9121975	1/2" INTERNAL STAR LOCK WASHER – PACK OF 10	2
910	9122465	.516 I.D. X .813 O.D. X .027/.030 THICK FLAT WASHER - PACK OF 2	2
911	4890851	CABLE CLAMP – SIDEKICK ONLY	1
912	9121090	1/4-20 X 1/2 TRUSS HEAD PHILLIPS MACHINE SCREW - PACK OF 5	4
913	2694043	CONTROL PLATE	1
914	4491101	TOGGLE SWITCH - MOTOR	1
915	2792041	TOGGLE SWITCH - VACUUM	1
916	2694361	BATTERY METER / LEFT CONTROL PANEL LABEL KIT	1
917	2691941	DRIVEN GEAR - POTENTIOMETER - INCLUDES:	1
918	9120225	#8-32 X 1/4 SET SCREW - KNURL POINT - STEEL - PACK OF 10	2
919	2692751	POTENTIOMETER BRACKET - 1.5"	1
920	9120270	#8-32 X 7/8 ROUND HEAD PHILLIPS MACHINE SCREW - PACK OF 10	2
921	9120200	#8 SPLIT LOCK WASHER - PACK OF 10	2
922	3392901	HANDLE GRIP	2
923	9121400	3/8 I.D. X 7/8 O.D. X .064/.104 THICK WROUGHT WASHER (5/16)-PACK OF 10	2
924	9122710	1/2-20 X 1 3/4 HEX BOLT - PACK OF 1	2
925	9122420	1/2 SPLIT LOCK WASHER - PACK OF 5	2
926	2691891	HANDLE BAR SPACER	2
927	2391941	BALL JOINT	2
928	2691931	DRIVE GEAR - HANDLE - INCLUDES:	1
928A	9120225	#8-32 X 1/4 SET SCREW - KNURL POINT - STEEL - PACK OF 10	2
929	2695691	TORSION SPRING DRIVER WR26	1
930	9120260	#8-32 X 3/4 ROUND HEAD SCREW - PACK OF 10	1
931	9120200	#8 SPLIT LOCK WASHER - PACK OF 10	1
932	6496091	SPRING TORSION .81 ID .067 WIRE	1
933	6496081	BEARING PLAIN SLEEVE .5 X .75 X. 75 LENGTH	1
934	3393841	WASHER, AN 1/2 X .053-.073	1
935	2695681	HANDLE BAR	1
936	2691871	HANDLE GRIP BASE	2
937	3393891	COLLAR, SHAFT 1/2"	1
938	9121090	1/4-20 X 1/2 TRUSS HEAD PHILLIPS MACHINE SCREW - PACK OF 5	2
939	2694131	POTENTIOMETER	1
940	2491251	TORSION SPRING STOP	1
941	9121090	1/4-20 X 1/2 TRUSS HEAD PHILLIPS MACHINE SCREW - PACK OF 5	10
942	2694361	BATTERY METER / LEFT CONTROL PANEL LABEL KIT	1
943	2693991	FITTING, BULKHEAD, 1/4 HOSE BARB X 1/4 NSPT SIDEKICK ONLY	1
944	1392371	BATTERY METER WITH LOW VOLTAGE RELAY	1
945	9590231	LABEL, SIDEKICK READY	1
947	2693871	LABEL, WATER CONTROL	1
948	9590101	KIT, SIDEKICK CHEMICAL DISPENSOR - OPTIONAL	1
	9590121	REPLACEMENT PUMP TOP HOUSING	1
	9590131	REPLACEMENT PUMP BOTTOM HOUSING	1
	9590311	REPLACEMENT ROLLER SPRING	1
949	9590189	KIT, CONTROL COVER-SIDEKICK - OPTIONAL; INCLUDES:	1
	3394261	COVER, DILUTION CONTROL	1
	9590191	SCREW, TAMPERPROOF, #6 X 1/2	2
	9590201	TOOL, TAMPERPROOF SCREW	1
950	9590151	SQUEEZE TUBE WITH FITTINGS-REPLACEMENT	1
951	9590141	COVER, SQUEEZE TUBE, REPLACEMENT	1

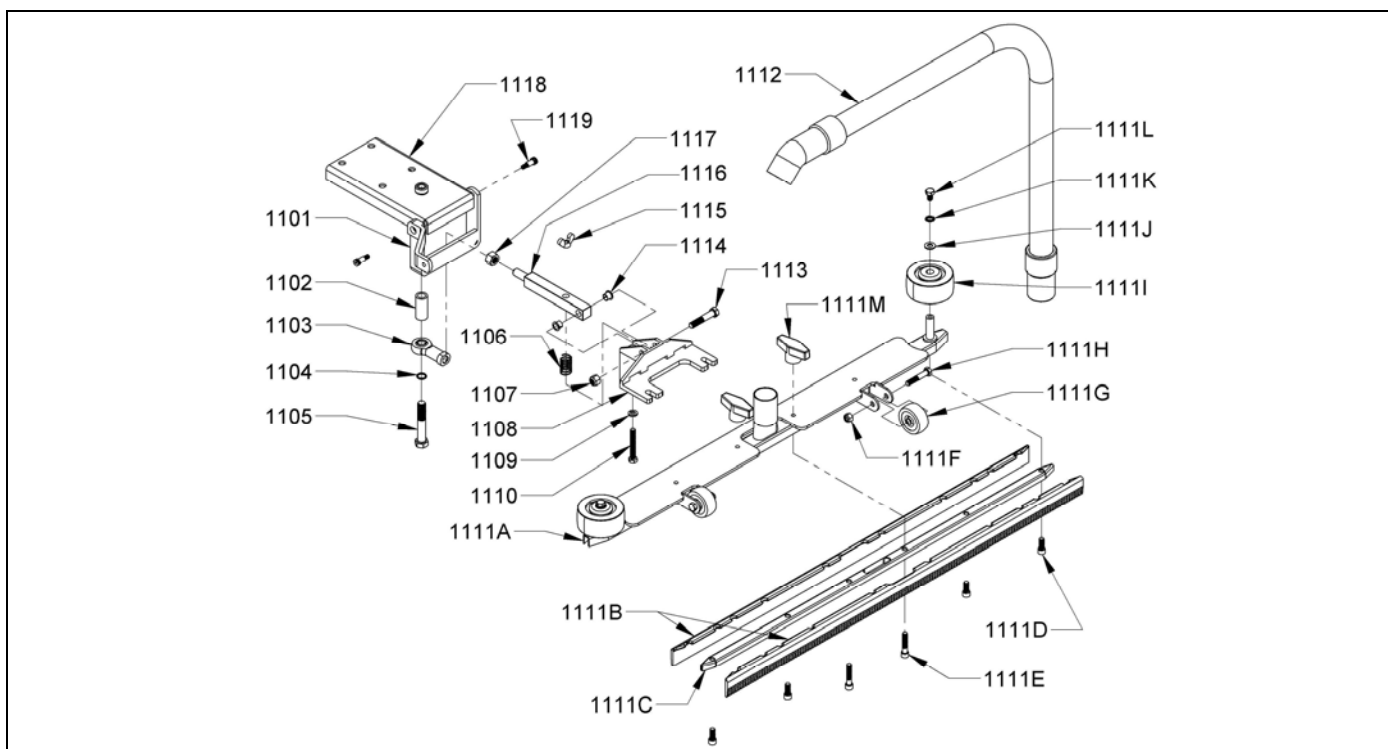
OPERATOR CONTROL PANEL



<u>ITEM</u>	<u>PART NO.</u>	<u>DESCRIPTION</u>	<u>QTY.</u>
952	9590331	90° ELBOW, 1/4" COMPRESSION TUBE	2
953	9997560	VELCRO LOOP (2 PIECES CUT TO 1/2" LONG EACH) SIDEKICK ONLY	0.08'
954	9997550	VELCRO HOOK (2 PIECES CUT TO 1/2" LONG EACH) SIDEKICK ONLY	0.08'
955	9120970	1/4 EXTERNAL STAR LOCK WASHER - PACK OF 10	2
956	3291111	CLAMP – SIDEKICK ONLY	1

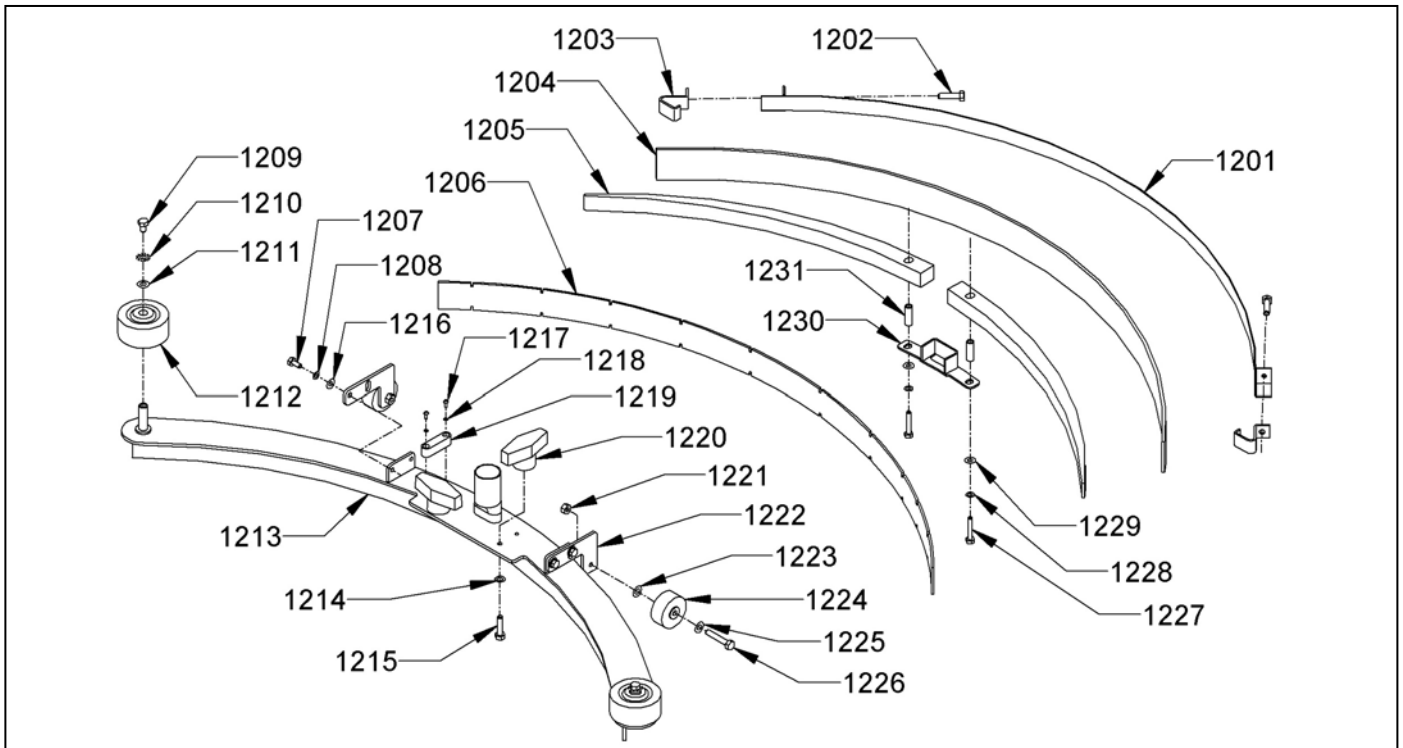
<u>ITEM</u>	<u>PART NO.</u>	<u>DESCRIPTION</u>	<u>QTY.</u>
1001	9120933	1/4 I.D. X 7/8 O.D. X .075 THICK FLAT WASHER - PACK OF 6	5
1002	9120880	1/4 SPLIT LOCK WASHER - PACK OF 10	5
1003	9121270	1/4-20 X 1 HEX BOLT - PACK OF 10	5
1004	2694031	COVER STANDOFF - CURTIS	2
1005	2391361	30-AMP CIRCUIT BREAKER	1
1006	2490891	15-AMP CIRCUIT BREAKER	1
1007	9121210	1/4-20 X 5/8 HEX BOLT - PACK OF 10	4
1008	9120880	1/4 SPLIT LOCK WASHER - PACK OF 10	4
1009	2792241	SILICON RECTIFIER	2
1010	2391351	SOLENOID - 24VOLT	2
1011	9121170	1/4-20 X 1/2 HEX BOLT - PACK OF 10	1
1012	9120880	1/4 SPLIT LOCK WASHER - PACK OF 10	1
1013	4490561	INSULATED STANDOFF	1
1014	2491293	REAR COVER PANEL - OBC	1
1015	9120930	9/32 I.D. X 5/8 O.D. X .051/.080 THICK FLAT WASHER (1/4) - PACK OF 10	6
1016	9120880	1/4 SPLIT LOCK WASHER - PACK OF 10	6
1017	9121170	1/4-20 X 1/2 HEX BOLT - PACK OF 10	6
1018	9121210	1/4-20 X 5/8 HEX BOLT - PACK OF 10	1
1019	9120880	1/4 SPLIT LOCK WASHER - PACK OF 10	1
1020	9121210	1/4-20 X 5/8 HEX BOLT - PACK OF 10	4
1021	9120970	1/4 EXTERNAL STAR LOCK WASHER - PACK OF 10	3
1023	9120880	1/4 SPLIT LOCK WASHER - PACK OF 10	1
1024	2695841	BRACKET, MTG, DP CHARGER	2
1025	4890851	CABLE CLAMP	1
1026	2699851	120V ONBOARD CHARGER 24 VOLT 25 AMP	1
1026	2699951	240V ONBOARD CHARGER 24 VOLT 25 AMP	1
	2695861	CORD WRAP (INCLUDED WITH BATTERY CHARGER)	1
1027	6495701	120 VOLT ONBOARD CHARGER CORD	1
1027	6495711	240 VOLT ONBOARD CHARGER CORD WITH SHUKO PLUG	1
1028	9121400	3/8 I.D. X 7/8 O.D. X .064/.104 THICK WROUGHT WASHER (5/16)-PACK OF 10	4
1029	6496451	FAST-ACTING FUSE 2 AMP	1
1030	4990321	FUSE HOLDER WITH NUT AND WASHER	1
1031	2695421	LABEL KIT - REAR COVER PANEL	1
1032	7692511	KEY SWITCH AND KEY - OPTIONAL - INCLUDES:	1
1032A	7692521	REPLACEMENT KEY	1
1033	2490821	SPEED CONTROL - CURTIS - 24VOLT	1
1034	2694021	SPEED CONTROL COVER - CURTIS	1
1035	9120190	#8-32 HEX NUT WITH STAR LOCK WASHER - PACK OF 10	2
1036	9121000	1/4-20 X 5/8 TRUSS HEAD PHILLIPS MACHINE SCREW - PACK OF 5	1
1038	9121000	1/4-20 X 5/8 TRUSS HEAD PHILLIPS MACHINE SCREW - PACK OF 5	1
1039	9120930	9/32 I.D. X 5/8 O.D. X .051/.080 THICK FLAT WASHER (1/4) - PACK OF 10	1
1040	4896141	STRAP - TANK SUPPORT	1
1041	9120930	9/32 I.D. X 5/8 O.D. X .051/.080 THICK FLAT WASHER (1/4) - PACK OF 10	1
1042	9120910	1/4-20 HEX NUT WITH STAR LOCK WASHER - PACK OF 10	1
1043	2693351	LABEL, WIRING DIAGRAM W26-OBC-DP	1
	2695411	LABEL, WIRING DIAGRAM-SIDEKICK ONLY-OPTIONAL (NOT SHOWN)	1
1044	9121990	3/8-16 HEX JAM NUT - PACK OF 10	2
1045	9122100	3/8 SPLIT LOCK WASHER - PACK OF 10	2
1046	9121980	7/16 I.D. X 1 O.D. X .075/.080 THICK FLAT WASHER (3/8) - PACK OF 2	2
1047	2692691	CONTROL PANEL	1
1048	9122353	3/8-16 X 3 SET SCREW - PACK OF 1	2
1049	2397361	HOUR METER - INCLUDES THE CLIP	1
1050	2397521	25-AMP CIRCUIT BREAKER	2
1051	8392761	STRAINER LOCATION LABEL	1
1052	9120810	#10 X 1/2 PAN HEAD SHEETMETAL SCREW - PACK OF 10	6
1053	3394561	LABEL, MAX INCLINE	1
1054	3394731	LABEL, MAX CLIMBING INCLINE	1
1055	9120930	9/32 I.D. X 5/8 O.D. X .051/.080 THICK FLAT WASHER (1/4) - PACK OF 10	1
1056	9120930	9/32 I.D. X 5/8 O.D. X .051/.080 THICK FLAT WASHER (1/4) - PACK OF 10	4
1057	9120970	1/4 EXTERNAL STAR LOCK WASHER - PACK OF 10	1
1058	7692421	RED TERMINAL BOOT	1
1059	5392401	FIRE WARNING LABEL	1

SQUEEGEE ASSEMBLY



ITEM	PART NO.	DESCRIPTION	QTY.
1101	2490751	SQUEEGEE LIFT	1
1102	2490591	SQUEEGEE PIVOT SPACER	1
1103	2391941	BALL JOINT	1
1104	1090981	SWITCH GUARD SPACER	1
1105	9122660	1/2-13 X 3 HEX BOLT WITH NYLON PATCH - PACK OF 1	1
1106	3695581	HEIGHT ADJUSTING SPRING	1
1107	9122140	3/8-16 HEX NUT WITH NY-LOK INSERT - PACK OF 5	1
1108	2490761	SQUEEGEE MOUNT BRACKET	1
1109	9121520	5/16 SPLIT LOCK WASHER - PACK OF 10	1
1110	9121840	5/16-18 X 2 1/4 FULL THREADED HEX BOLT - PACK OF 1	1
1111	2692539	SQUEEGEE ASSEMBLY 32" - INCLUDES	1
1111A	2692523	SQUEEGEE OUTER CHANNEL 32"	1
1111B	2793009	SQUEEGEE BLADE - 32" SET OF 2	1
1111C	2692533	SQUEEGEE INNER CHANNEL 32"	1
1111D	9121880	5/16-18 X 3/4 SOCKET HEAD CAP SCREW - PACK OF 2	4
1111E	9121920	5/16-18 X 1 1/2 SOCKET HEAD CAP SCREW - PACK OF 2	2
1111F	9121450	5/16-18 HEX NUT WITH NY-LOK INSERT - PACK OF 5	2
1111G	3096741	ROLLER WHEEL	2
1111H	9121760	5/16-18 X 1 3/4 HEX BOLT - PACK OF 5	2
1111I	2790281	3" BUMPER WHEEL	2
1111J	9121390	11/32 I.D. X 11/16 O.D. X .051/.080 THICK SAE FLAT WASHER (5/16) - PACK OF 10	2
1111K	9121410	5/16 EXTERNAL STAR LOCK WASHER - PACK OF 10	2
1111L	9121560	5/16-18 X 1/2 HEX BOLT - PACK OF 5	2
1111M	3392971	T - KNOB - SQUEEGEE	2
1112	2690591	SQUEEGEE VAC HOSE WITH CUFFS	1
1113	9122340	3/8-16 X 2 HEX BOLT - PACK OF 2	1
1114	1391171	3/8 FLANGE NYLINER	2
1115	9121445	5/16-18 WING NUT WITH NYLOK - PACK OF 2	1
1116	1390156	SQUEEGEE PIVOT ROD	1
1117	9122670	1/2-20 HEX JAM NUT - PACK OF 5	1
1118	2490741	SQUEEGEE PIVOT BRACKET	1
1119	9121500	5/16 DIA X 1/2 LONG SOCKET HEAD SHOULDER SCREW - PACK OF 1	2

CURVED SQUEEGEE ASSEMBLY

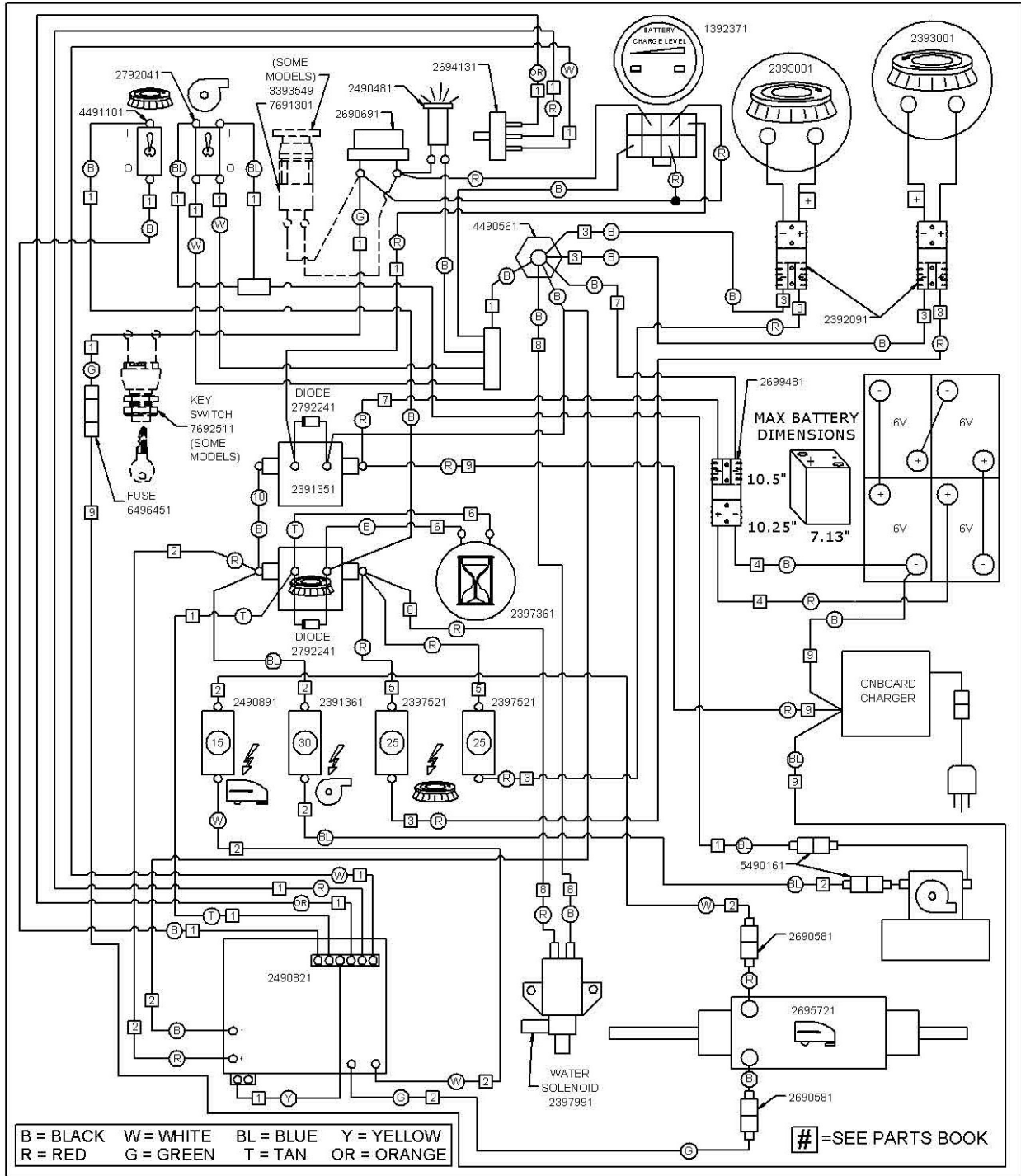


ITEM	PART NO.	DESCRIPTION	QTY.
	2492499	CURVED SQUEEGEE ASSEMBLY - INCLUDES:	1
1201	2492551	REAR SECURING STRAP	1
1202	9121720	5/16-18 X 1 1/4 FULL THREADED HEX HEAD BOLT - PACK OF 2	2
1203	2492561	HOOKED END	2
1204	2695541	REAR BLADE	1
1205	2492511	CENTER WEDGE	2
1206	2492521	FRONT BLADE	1
1207	9121210	1/4-20 X 5/8 HEX BOLT - PACK OF 10	4
1208	9120880	1/4 SPLIT LOCK WASHER - PACK OF 10	4
1209	9121560	5/16-18 X 1/2 HEX BOLT - PACK OF 5	2
1210	9121410	5/16 EXTERNAL STAR LOCK WASHER - PACK OF 10	2
1211	9121390	11/32 I.D. X 11/16 O.D. X .051/.080 THICK SAE FLAT WASHER (5/16) - PACK OF 10	2
1212	2790281	BUMPER WHEEL	2
1213	2492503	MAIN HOUSING	1
1214	9121520	5/16 SPLIT LOCK WASHER - PACK OF 10	2
1215	9121720	5/16-18 X 1 1/4 FULL THREADED HEX HEAD BOLT - PACK OF 2	2
1216	9120930	9/32 I.D. X 5/8 O.D. X .051/.080 THICK SAE FLAT WASHER (1/4) - PACK OF 10	4
1217	9120070	#6-32 X 3/8 ROUND HEAD PHILLIPS MACHINE SCREW - PACK OF 10	2
1218	9120030	#6 SPLIT LOCK WASHER - PACK OF 10	2
1219	2492581	SQUEEGEE LEVEL	1
1220	3392971	T- KNOB - SQUEEGEE	2
1221	9121450	5/16-18 HEX NUT WITH NY-LOK INSERT - PACK OF 5	2
1222	2492571	DOLLY WHEEL MOUNTING BRACKET	2
1223	9121390	11/32 I.D. X 11/16 O.D. X .051/.080 THICK SAE FLAT WASHER (5/16) - PACK OF 10	2
1224	3096741	ROLLER WHEEL	2
1225	9121390	11/32 I.D. X 11/16 O.D. X .051/.080 THICK SAE FLAT WASHER (5/16) - PACK OF 10	2
1226	9121760	5/16-18 X 1 3/4 HEX BOLT - PACK OF 2	2
1227	9121280	1/4-20 X 1 1/2 HEX BOLT - PACK OF 5	2
1228	9120880	1/4 SPLIT LOCK WASHER - PACK OF 10	2
1229	9120930	9/32 I.D. X 5/8 O.D. X .051/.080 THICK SAE FLAT WASHER (1/4) - PACK OF 10	2
1230	2492541	CENTER HOLD DOWN	1
1231	2492591	CENTER HOLD DOWN SPACER	2

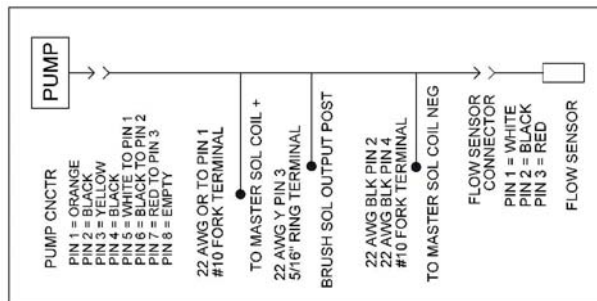
ELECTRICAL WIRING DIAGRAM

ITEM	PART NO.	DESCRIPTION	QTY.
1	2693281	UPPER WIRING HARNESS - OBC	1
2	2695771	LOWER WIRING HARNESS	1
3	2695761	BRUSH MOTOR WIRE ASSEMBLY	1
4	2699461	WIRE ASSEMBLY ANDERSON TO POSITIVE / NEGATIVE BATTERY	1
5	2695751	POSITIVE BRUSH JUMPER	1
6	2490991	WIRE ASSEMBLY - HOUR METER	1
7	2699471	WIRE ASSEMBLY ANDERSON TO SOLENOID/STANDOFF	1
8	2695431	WIRE ASSEMBLY - WATER SOLENOID	1
9	2699851	24 VOLT ONBOARD CHARGER, 120V	1
9	2699951	24 VOLT ONBOARD CHARGER, 240V	1
10	2792141	WIRE 6 AWG X 6"	1
97	2391981	BATTERY JUMPER 3/8 RING	3
—	2397361	HOUR METER	1
—	2490891	15-AMP CIRCUIT BREAKER	1
—	2490961	#6 RING TERMINAL 18-22 AWG OPTIONAL WITH KEY SWITCH	2
—	2490991	WIRE ASSEMBLY HOUR METER	1
—	2690581	1/4 MALE SPADE TERMINAL FULLY INSULATED, 12-10 AWG	2
—	2690691	MASTER SWITCH	1
—	2391361	30-AMP CIRCUIT BREAKER	1
—	2397521	25-AMP CIRCUIT BREAKER	2
—	2693901	CABLE, SIDEKICK TO MACHINE INCLUDES:	1
—	3394301	CONNECTOR, MALE-SIDEKICK SENSOR	1
—	3394321	TERMINAL, MALE-FOR 3394301	3
—	2391351	SOLENOID – 24V	2
—	1392371	BATTERY METER	1
—	2391901	BRUSH MOTOR CONNECTOR – 24V	6
—	2393001	GEAR MOTOR – 3/4HP – 24V DC	2
—	2499059	VAC MOTOR – ASSEMBLY	1
—	2397991	SOLUTION SOLENOID VALVE	1
—	2490481	LIGHT – INDICATOR – GREEN, 24V, WITH CLIP	1
—	2490821	SPEED CONTROL – CURTIS -24V	1
—	2695729	TRANSAXLE KIT	1
—	2694131	POTENTIOMETER	1
—	2792041	VAC TOGGLE SWITCH	1
—	2792241	SILICON RECTIFIER	2
—	3393549	E-STOP KIT	1
—	4490561	STANDOFF	1
—	4491101	MOTOR TOGGLE SWITCH	1
—	4990321	FUSE HOLDER	1
—	5490161	3/4 FEMALE QUICK DISCONNECT TERMINAL, 16-14 AWG	2
—	6495701	120V ONBOARD CHARGER CORD	1
—	6495711	240V ONBOARD CHARGER CORD	1
—	7692511	KEYSWITCH - OPTIONAL	1
—	6496451	2A FUSE	1
—	2392091	BRUSH MOTOR CONNECTOR – 24V (W/ CONTACT TERMINALS)	4
—	2699481	BATTERY CONNECTOR – 24V	2
—	6497021	OPTIONAL KEYSWITCH WIRE	1

ELECTRICAL WIRING DIAGRAM



WIRING SCHEMATIC
 SIDEKICK CHEMICAL
 DISPENSER



ACCESSORIES

PAD DRIVER AND BRUSHES

2694491 13" POLY BACK TUFT PAD DRIVER
2694481 13" POLY BACK SCRUB GRIT BRUSH
2694511 13" BRUSH - NYLON
2694521 13" BRUSH - NYLOGRIT

OFFBOARD CHARGER ADAPTER

2492011 OFFBOARD CHARGER ADAPTOR (24V)

BURNISHING FLOOR PADS

7991351 NSS 13" LITE BLUE SOFT FINNISH PAD (CASE OF 5)

SCRUBBING FLOOR PADS

7991301 NSS 13" BLACK STRIP PAD (CASE OF 5)
7990131 NSS 13" GREEN ECOSTRIP PAD (CASE OF 2)

PAD CUP

5990731 SPRING CLIP PAD HOLDER SET - INCLUDES:
9120506 #8 X 5/8 PAN HEAD SHEET METAL SCREW (3 REQ'D)

BATTERIES

3390361 6 VOLT BATTERY - 235 AMP/HR - WET
3390981 6 VOLT BATTERY - 220 AMP/HR - AGM
2698441 DUAL PRO CHARGER FAN REFURBISHMENT KIT
2698421 DUAL PRO CHARGER RING TERMINAL REFURBISHMENT KIT

2392179 BRUSH / SQUEEGEE KIT - INCLUDES:
2291211 5" CONNECTOR - ALUMINUM
2290209 STEEL WAND - 1 PIECE
2391231 VACUUM HOSE - 7 FOOT
3097849 14" BRUSH / SQUEEGEE TOOL

LITERATURE

9091001 HARDWARE CATALOG
9091002 HOSES, TOOLS AND ACCESSORIES CATALOG
9092624 OPERATORS MANUAL

DILUTION CONTROL

2693479 KIT, RETROFIT FOR W2625'S BUILT PRIOR TO 08/2009
2693899 KIT, RETROFIT FOR W2625'S BUILT PRIOR TO 08/2009 W/ESTOP
2693959 KIT, RETROFIT FOR W2625'S BUILT AFTER 08/2009
(WITH OR WITHOUT ESTOP)



NSS® Enterprises, Inc.

3115 Frenchmens Road
Toledo, Ohio 43607
PHONE (419) 531-2121
FAX (419) 531-3761

mailus@nss.com
www.nss.com