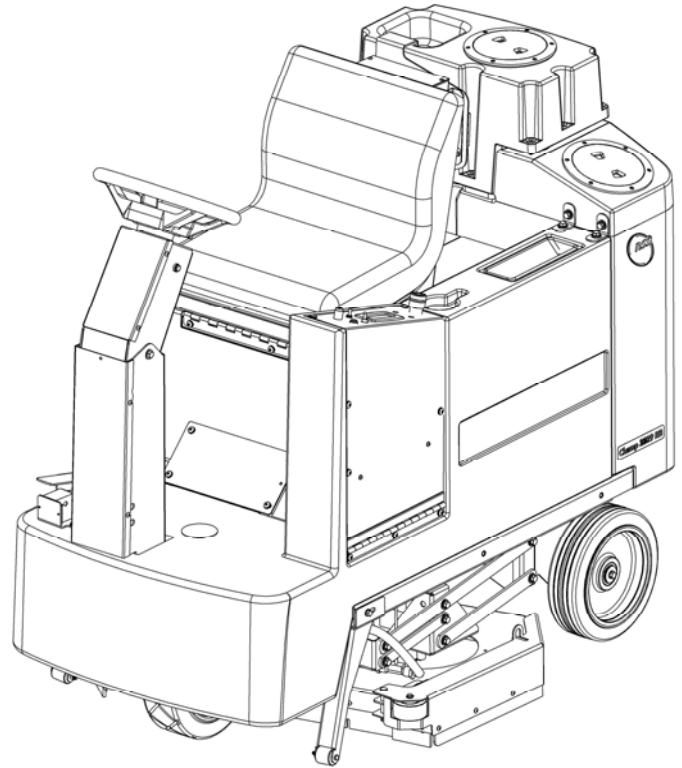
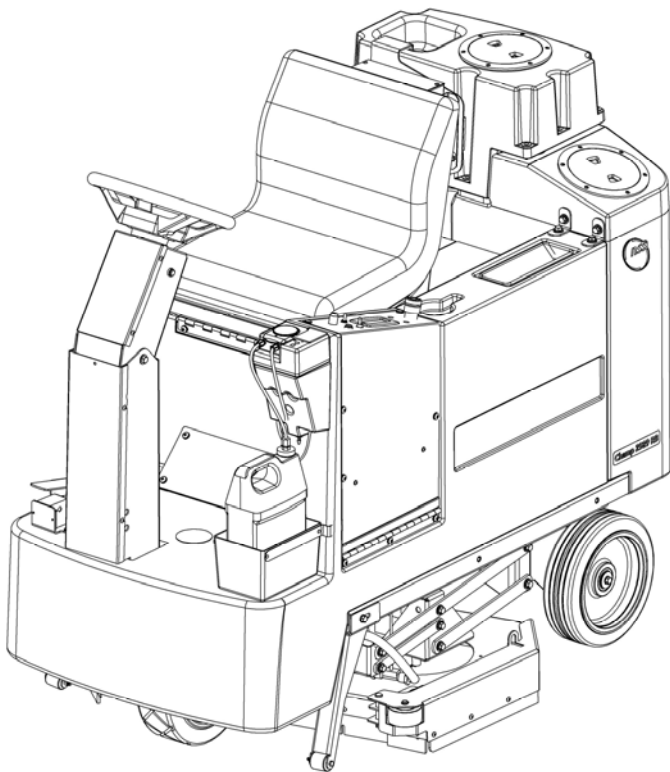


PARTS LIST

CHAMP 2929 RB



WITHOUT SIDEKICK CHEMICAL METERING



WITH SIDEKICK CHEMICAL METERING



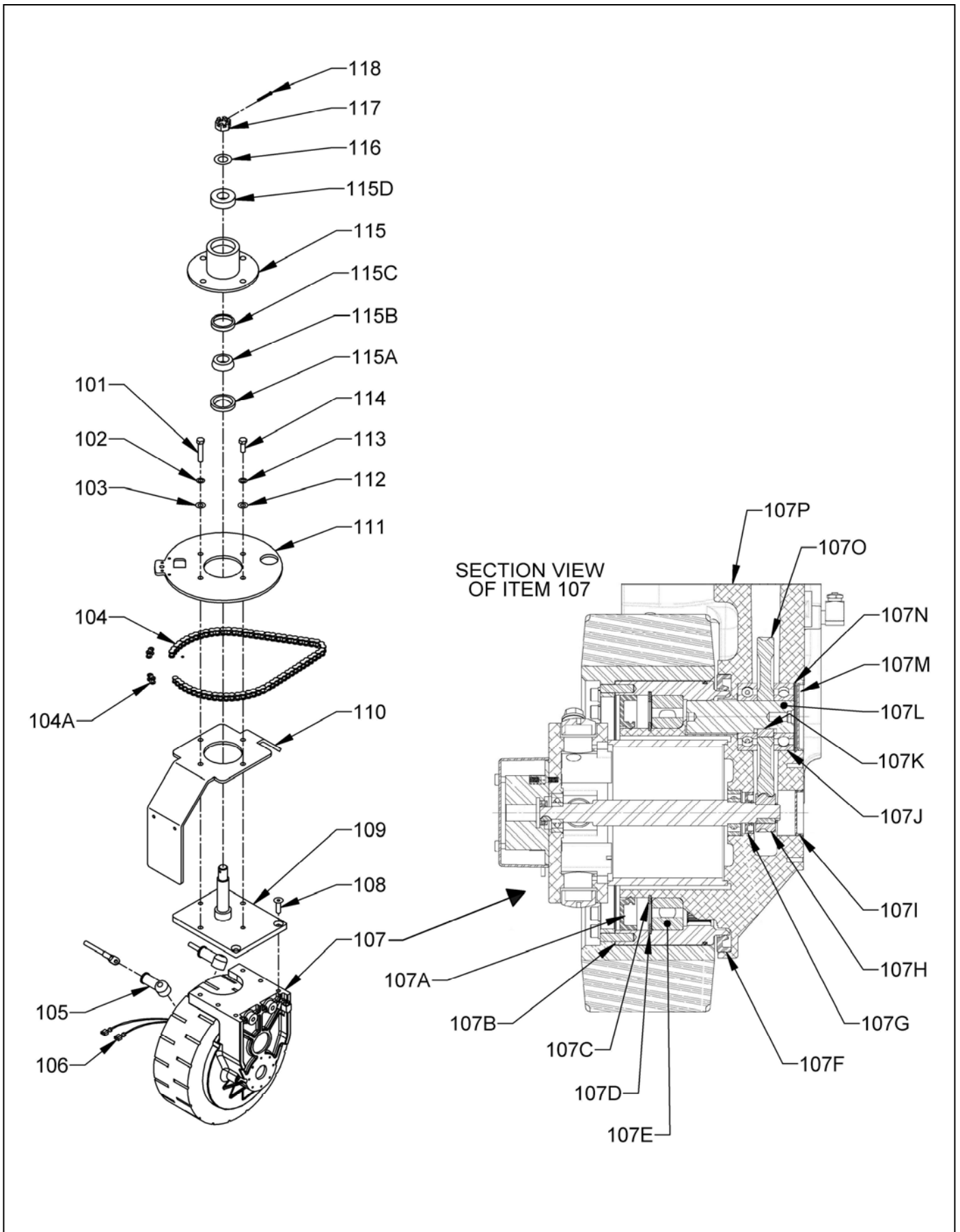
SAVE THESE INSTRUCTIONS



DRIVE WHEEL ASSEMBLY

ITEM	PART NO.	DESCRIPTION	QTY
101	9124000	M10 - 1.5 X 50 HEX HEAD BOLT - PACK OF 2	2
102	9124003	M10 SPLIT LOCK WASHER - PACK OF 5	2
103	9124002	M10 FLAT WASHER - PACK OF 5	2
104	7691259	CHAIN KIT - CHAIN WITH TWO MASTERS - INCLUDES:	1
	2790341	ROLLER CHAIN 67 LINKS WITHOUT MASTER	1
104A	2795211	LINK - MASTER #40 CHAIN NICKEL	2
105	6492051	STUD TERMINAL BOOT – RUBBER	2
106	4991371	FULLY INSULATED MALE TERMINAL 18-22 AWG	2
107	7695561	CHASSIS DRIVE 300 - INCLUDES:	1
107A	7695321	SEAL	1
107B	7696351	WHEEL GASKET CD12/CD300	1
107C	7696371	RS-511 SNAP RING, EXT.	1
107D	7696381	RR-708 SNAP RING, INT.	1
107E	7695311	BEARING	1
107F	7696191	OIL SEAL, CD 250, DWG A5982	1
107G	7696301	NAT 481264 1.25 X 625 X 25.1 LIP	1
107H	7696331	MOTOR PINION, CD250, 4.3201	1
107I	7696171	FREEZE PLUG, 1 3/8" X 1/8"	1
107J	7696341	6205 OPEN BEARING, .9843" BORE	2
107K	7696361	KEY 1/4" SQ x .495" LONG	1
107L	7696311	DRIVESHAFT CD250	1
107M	7696161	FREEZE PLUG, 52mm	1
107N	7696321	DRIVEN GEAR, HELICAL CD250	1
107P	7696181	MOUNTING GASKET	1
	7695851	I-GROOVE WHEEL, CD 300	1
	7695581	WHEEL / TIRE CD300	1
	7695599	WHEEL BOLTS & LOCK WASHERS CD300 – KIT	1
	7695241	WHEEL BOLTS	10
	7695251	WHEEL LOCK WASHERS	10
	7695261	MOTOR	1
	7696061	BRUSH CAP KIT, INCLUDES CAP, SPRING & O-RING	1
	7695271	CARBON BRUSH	4
108	9124001	M10 - 1.5 X 30 FLAT HEAD SOCKET CAPS SCREW – PACK OF 2	2
109	7690581	STEERING YOKE	1
110	7690563	FENDER / TOW HOOK / SPACER	1
111	7690571	DRIVEN SPROCKET – STEERING	1
112	9121400	3/8 I.D. X 7/8 O.D. X .064/.104 THICK WROUGHT WASHER (5/16) - PK – 10	2
113	9122100	3/8 SPLIT LOCK WASHER - PACK OF 10	2
114	9122260	3/8-16 X 1 HEX BOLT - PACK OF 2	2
115	7690509	BEARING BLOCK - STEERING ASSEMBLY - INCLUDES:	1
115A	7690591	SEAL – STEERING	1
115B	7690671	BEARING CONE - STEERING BOTTOM	1
115C	7690681	BEARING CUP - STEERING BOTTOM	1
115D	2790311	BEARING, BOTTOM END	1
116	9123105	3/4 I.D. X 1 1/4 O.D. X .071/.082 THICK FLAT WASHER (11 GA)-PK-5	1
117	9123100	3/4-16 HEX SLOTTED NUT - STEEL - PACK OF 1	1
118	9120314	1/8 X 1 1/4 COTTER PIN - STEEL - PACK OF 5	1

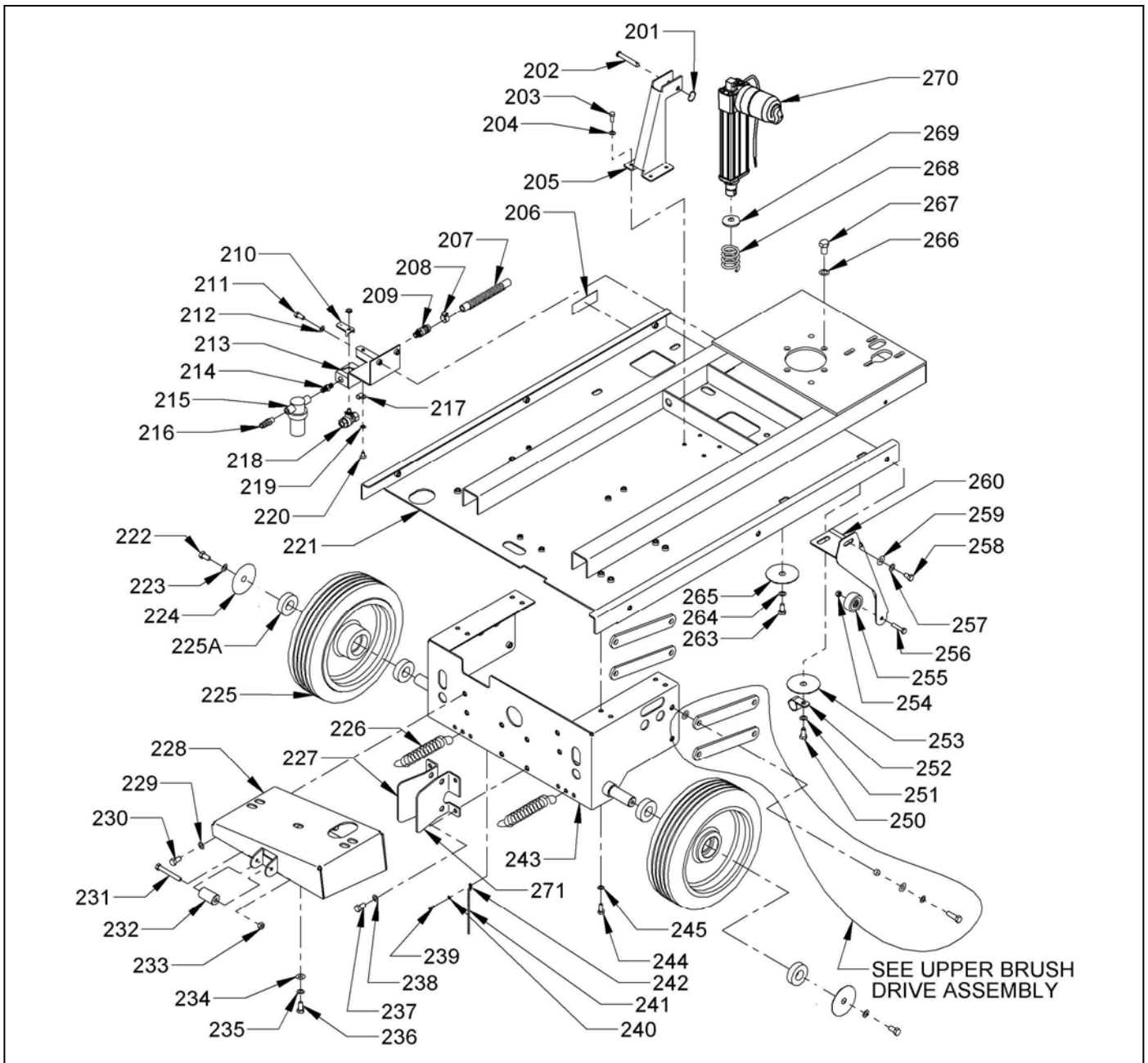
DRIVE WHEEL ASSEMBLY



CHASSIS ASSEMBLY

<u>ITEM</u>	<u>PART NO.</u>	<u>DESCRIPTION</u>	<u>QTY</u>
201	2392561	CIRCLE COTTER	1
202	7690311	3/8" DIAMETER X 2.505 LONG CLEVIS PIN	1
203	9121210	1/4-20 X 5/8 HEX BOLT - PACK OF 10	4
204	9120880	1/4 SPLIT LOCK WASHER - PACK OF 10	4
205	7690301	BRUSH ACTUATOR BRACKET	1
206	8392761	STRAINER LOCATION LABEL	1
207	7693781	6.5 X 3/4 CONVOLUTED HOSE	1
208	7693811	HOSE CLAMP, 9/16" TO 1 1/16"	1
209	7695161	3/4 HOSE BARB X 1/4 MPT FITTING	1
210	7691041	VALVE LEVER	1
211	9121640	5/16-18 X 3/4 HEX BOLT - PACK OF 5	2
212	9121520	5/16 SPLIT LOCK WASHER - PACK OF 10	2
213	7691031	SOLUTION VALVE HANGER	1
214	3891941	1/4 NPT HEX NIPPLE	1
215	3393551	INLINE CANISTER STRAINER (INCLUDES)	1
	3393611	STRAINER ELEMENT	1
	3394559	KIT, BOWL & GASKET (INCLUDES)	1
	3393621	GASKET	1
	3392731	BOWL	1
216	2495161	1/2 HOSE BARB X 1/4 MPT	1
217	7691061	CONDUIT CLAMP	1
218	2397961	SOLUTION VALVE	1
219	9120370	7/32 I.D. X 1/2 O.D. X .032/.065 THICK SAE FLAT WASHER (#10)-PK-10	1
220	9120510	#10-24 X 1/2 TRUSS HEAD PHILLIPS MACHINE SCREW - PACK OF 10	1
221	7693931	MAIN FRAME WELDMENT	1
222	9122220	3/8-16 X 3/4 HEX BOLT - PACK OF 5	2
223	9122100	3/8 SPLIT LOCK WASHER - PACK OF 10	2
224	9122110	3/8 X 1 1/2 FENDER WASHER - PACK OF 10	2
225	7690081	12" X 3" WHEEL - ASSEMBLY - INCLUDES:	2
225A	2790311	BEARING, BOTTOM END	2
226	7690291	EXTENSION SPRING, SQUEEGEE	2
227	7693731	LEFT SQUEEGEE MOUNT / STOP BRACKET	1
228	7694013	MOUNTING BRACKET - LOWER RECOVERY TANK	1
229	9122100	3/8 SPLIT LOCK WASHER - PACK OF 10	4
230	9122220	3/8-16 X 3/4 HEX BOLT - PACK OF 5	4
231	9122350	3/8-16 X 3 HEX BOLT - PACK OF 1	1
232	7690811	GUIDE	1
233	9122140	3/8-16 HEX NUT WITH NY-LOK INSERT - PACK OF 5	1
234	9121400	3/8 I.D. X 7/8 O.D. X .064/.104 THICK WROUGHT WASHER (5/16)-PK-10	2
235	9122100	3/8 SPLIT LOCK WASHER - PACK OF 10	2
236	9122220	3/8-16 X 3/4 HEX BOLT - PACK OF 5	2
237	9122220	3/8-16 X 3/4 HEX BOLT - PACK OF 5	4
238	9122100	3/8 SPLIT LOCK WASHER - PACK OF 10	4
239	9120380	#10-24 X 3/8 ROUND HEAD PHILLIPS MACHINE SCREW - PACK OF 10	1
240	9120320	#10 SPLIT LOCK WASHER - PACK OF 10	1
241	6491860	ROUND BEAD CHAIN (CUT TO 6")	.5
242	6491871	END COUPLING - ROUND BEAD CHAIN	1
243	7690173	AXLE BRACKET	1
244	9122220	3/8-16 X 3/4 HEX BOLT - PACK OF 5	8
245	9122100	3/8 SPLIT LOCK WASHER - PACK OF 10	8
250	9122260	3/8-16 X 1 HEX BOLT - PACK OF 2	1
251	9122100	3/8 SPLIT LOCK WASHER - PACK OF 10	1
252	2395761	CLAMP, TUBE	1
253	9122110	3/8 X 1 1/2 FENDER WASHER - PACK OF 10	1
254	9121450	5/16-18 HEX NUT WITH NY-LOCK INSERT - PACK OF 5	2
255	2796321	WHEEL, BUMPER-SMALL GRAY	2
256	9121780	5/16-18 X 1-1/2 HEX BOLT - PACK OF 2	2
257	9122100	3/8 SPLIT LOCK WASHER - PACK OF 10	2

CHASSIS ASSEMBLY

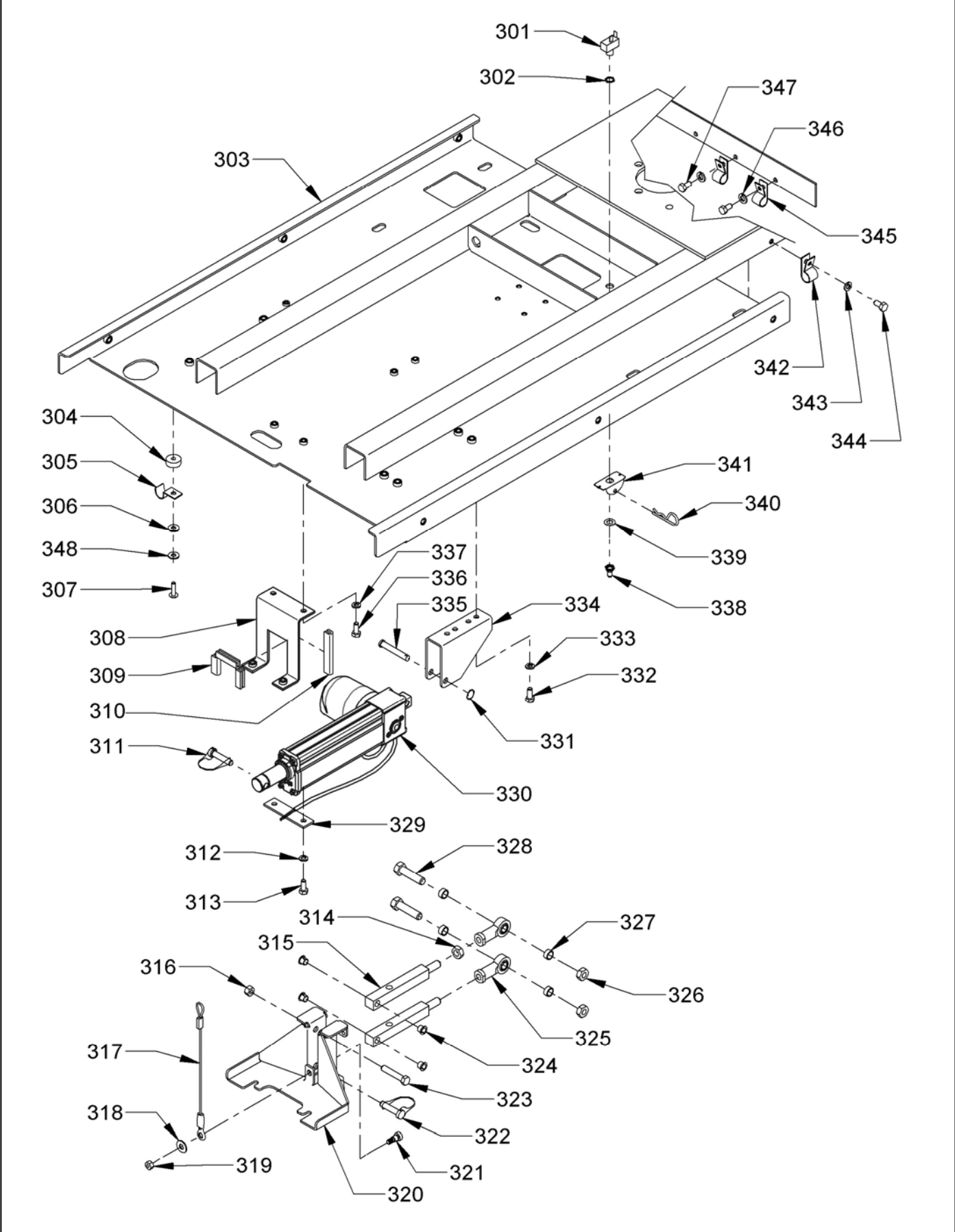


<u>ITEM</u>	<u>PART NO.</u>	<u>DESCRIPTION</u>	<u>QTY</u>
258	9122220	3/8-16 X 3/4 HEX BOLT - PACK OF 5	2
259	9121980	7/16 I.D. X O.D. X .075/.080 THICK FLAT WASHER (3/8) - PACK OF 2	2
260	7695481	TIP STOP, RIGHT	1
	7695491	TIP STOP, LEFT	1
263	9122220	3/8-16 X 3/4 HEX BOLT - PACK OF 5	3
264	9122100	3/8 SPLIT LOCK WASHER - PACK OF 10	3
265	9122110	3/8 X 1 1/2 FENDER WASHER - PACK OF 10	3
266	9122420	1/2 SPLIT LOCK WASHER - PACK OF 5	4
267	9122500	1/2-13 X 7/8 HEX BOLT - PACK OF 2	4
268	7691171	COMPRESSION SPRING	1
269	3190191	STRING GUARD	1
270	7695989	BRUSH ACTUATOR KIT	1
	7692209	ACTUATOR LIMIT SWITCH KIT	1
271	7693721	RIGHT SQUEEGEE MOUNT / STOP BRACKET	1

SQUEEGEE ACTUATOR ASSEMBLY

ITEM	PART NO.	DESCRIPTION	QTY
301	3390411	FORWARD - REVERSE SWITCH	1
302	0798821	5/8" HEX NUT (LARGE NUT)	1
303	7693931	MAIN FRAME WELDMENT	1
304	7691361	ACTUATOR SPRING GUIDE	1
305	2690971	HOSE CLIP	1
306	9120930	9/32 I.D. X 5/8 O.D. X .051/.080 THICK SAE FLAT WASHER (1/4) - PACK OF 10	1
307	9121270	1/4-20 X 1 HEX BOLT - PACK OF 10	1
308	7695961	ACTUATOR MOUNT – REAR	1
309	9997590	METAL CORE QUICKEDGE TRIM (CUT TO 2.5", 2.75", 2.5")	.6'
310	9997590	METAL CORE QUICKEDGE TRIM (CUT TO 3")	.3'
311	9121950	3/8 X 1 5/8 CLEVIS PIN WITH RETAINER - PACK OF 1	1
312	9121520	5/16 SPLIT LOCK WASHER - PACK OF 10	2
313	9121640	5/16-18 X 3/4 HEX BOLT - PACK OF 5	2
314	9122670	1/2-20 HEX JAM NUT - PACK OF 5	1
315	1390156	SQUEEGEE SHAFT	2
316	9122140	3/8-16 HEX NUT WITH NY-LOK INSERT - PACK OF 5	1
317	7691071	SQUEEGEE LIFT CABLE	1
318	9121400	3/8 I.D. X 7/8 O.D. X .064/.104 THK WROUGHT WASHER (5/16) - PACK OF 10	1
319	9121450	5/16-18 HEX NUT WITH NY-LOK INSERT - PACK OF 5	1
320	7693831	SQUEEGEE BRACKET	1
321	9122020	3/8 DIA. X 3/8 LONG SOCKET HEAD SHOULDER BOLT 5/16-18 - PACK OF 1	1
322	9121950	3/8 X 1 5/8 CLEVIS PIN WITH RETAINER - PACK OF 1	1
323	9122340	3/8-16 X 2 HEX BOLT - PACK OF 2	1
324	1391171	3/8 FLANGE NYLINER	4
325	2391941	BALL JOINT	2
326	9122670	1/2-13 HEX JAM NUT - THIN - PACK OF 5	2
327	2391461	BUSHING - LIFT LEVER	4
328	9122580	1/2-13 X 2 HEX BOLT - PACK OF 1	2
329	7690201	ACTUATOR MOUNT CLAMP	1
330	7695979	SQUEEGEE ACTUATOR KIT	1
	7692209	ACTUATOR LIMIT SWITCH KIT	1
331	2392561	CIRCLE COTTER	1
332	9121640	5/16-18 X 3/4 HEX BOLT - PACK OF 5	2
333	9121520	5/16 SPLIT LOCK WASHER - PACK OF 10	2
334	7694061	FRONT MOUNT - SQUEEGEE ACTUATOR	1
335	7690311	3/8" DIAMETER X 2.505" LONG CLEVIS PIN	1
336	9121640	5/16-18 X 3/4 HEX BOLT - PACK OF 5	2
337	9121520	5/16 SPLIT LOCK WASHER - PACK OF 10	2
338	0693141	RUBBER SWITCH BOOT	1
339	9121975	1/2" INTERNAL STAR LOCK WASHER – PACK OF 5	1
340	7690491	#6 HAIR COTTER PIN	1
341	7691791	SWITCH GUARD	1
342	2395761	CLAMP, TUBE	1
343	9120880	1/4 SPLIT LOCK WASHER - PACK OF 10	1
344	9121210	1/4-20 X 5/8 HEX BOLT - PACK OF 10	1
345	3291111	CORD CLAMP	2
346	9120880	1/4 SPLIT LOCK WASHER - PACK OF 10	2
347	9121210	1/4-20 X 5/8 HEX BOLT - PACK OF 10	2
348	9120880	1/4 SPLIT LOCK WASHER - PACK OF 10	1

SQUEEGEE ACTUATOR ASSEMBLY



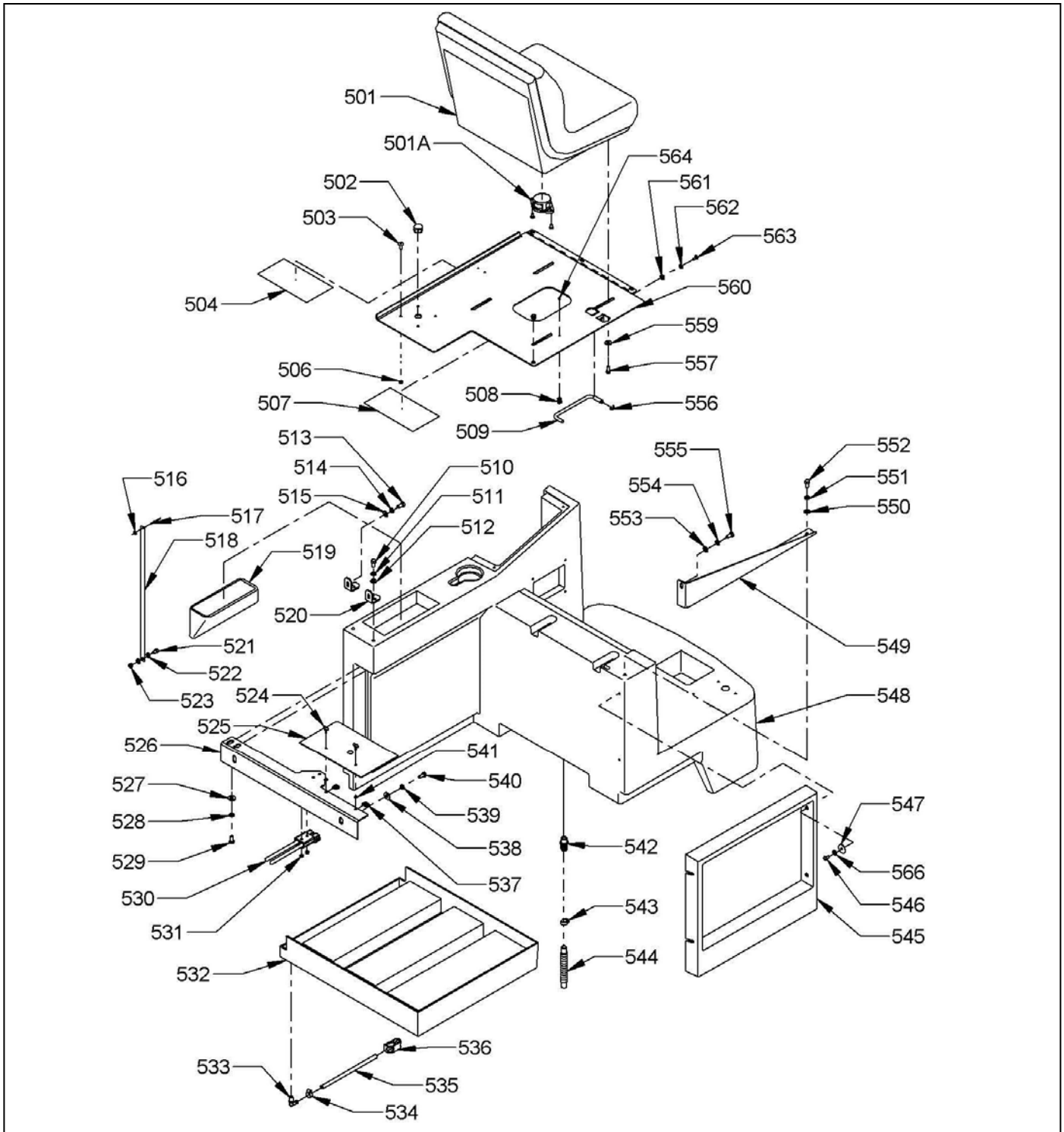
UPPER BRUSH DRIVE ASSEMBLY

ITEM	PART NO.	DESCRIPTION	QTY
401	9122140	3/8-16 HEX NUT WITH NY-LOK INSERT - PACK OF 5	4
402	9121400	3/8 I.D. X 7/8 O.D. X .064/.104 THICK WROUGHT WASHER (5/16)-PK-10	4
403	7691331	LANYARD	2
404	9120320	#10 SPLIT LOCK WASHER - PACK OF 10	2
405	9120380	#10-24 X 3/8 ROUND HEAD PHILLIPS MACHINE SCREW - PACK OF 10	2
406	7690491	#6 HAIR COTTER PIN	2
407	9122260	3/8-16 X 1 HEX BOLT - PACK OF 2	4
408	9122100	3/8 SPLIT LOCK WASHER - PACK OF 10	4
409	9121400	3/8 I.D. X 7/8 O.D. X .064/.104 THICK WROUGHT WASHER (5/16)-PK-10	4
410	2691181	PIVOT SPACER, STABILIZER BAR	8
411	9121450	5/16-18 HEX NUT WITH NY-LOK INSERT - PACK OF 10	8
412	9120940	5/16 I.D. X 3/4 O.D. X .051/.080 THICK WROUGHT WASHER (1/4)-PK-10	8
413	7690461	BRUSH PLATE MOUNT BRACKET - LEFT HAND	1
414	7690311	3/8" DIAMETER X 2.505" LONG CLEVIS PIN	1
415	2691171	STABILIZER BAR	4
416	9121400	3/8 I.D. X 7/8 O.D. X .064/.104 THICK WROUGHT WASHER (5/16)-PK-10	4
417	7690403	BRUSH MOTOR PLATE	1
418	9120940	5/16 I.D. X 3/4 O.D. X .051/.080 THICK WROUGHT WASHER (1/4)-PK-10	8
419	9121640	5/16-18 X 3/4 HEX BOLT - PACK OF 5	8
420	9120510	#10-24 X 1/2 TRUSS HEAD PHILLIPS MACHINE SCREW - PACK OF 10	8
421	7690421	REAR SKIRT RUBBER	1
422	7690431	SKIRT RUBBER SECURING STRAP	2
423	9122220	3/8-16 X 3/4 HEX BOLT - PACK OF 5	4
424	7690411	FRONT SKIRT RUBBER	1
425	2392561	CIRCLE COTTER	1
426	9120510	#10-24 X 1/2 TRUSS HEAD PHILLIPS MACHINE SCREW - PACK OF 10	8
427	9122220	3/8-16 X 3/4 HEX BOLT - PACK OF 5	6
428	9122100	3/8 SPLIT LOCK WASHER - PACK OF 10	6
429	7690441	BRUSH MOTOR MOUNT	2
430	7690091	BRUSH MOTOR - INCLUDES:	1
	7691841	BRUSH MOTOR GEAR BOX	2
	7692041	REPLACEMENT CARBON BRUSH - BRUSH MOTOR	4
430A	7691771	BREATHER ASSEMBLY	2
431	6492051	STUD TERMINAL BOOT – RUBBER	2
432	7690451	BRUSH PLATE MOUNT BRACKET - RIGHT HAND	1
433	2392261	BUMPER BUTTON	4

SOLUTION TANK ASSEMBLY

<u>ITEM</u>	<u>PART NO.</u>	<u>DESCRIPTION</u>	<u>QTY</u>
501	7690601	SEAT - INCLUDES:	1
501A	7691801	SEAT SWITCH, SCREW MOUNT	1
501A	7692601	SEAT SWITCH, TWIST MOUNT	1
502	0690761	BUTTON, PLUG	1
503	9121000	1/4-20 X 5/8 TRUSS HEAD PHILLIPS MACHINE SCREW - PACK OF 5	4
504	3394141	OBC WARNING LABEL	1
506	9120900	1/4-20 HEX NUT WITH NY-LOK INSERT - PACK OF 10	4
507	3392811	BATTERY WARNING LABEL	1
508	7691081	3/8 STOWAGE CLIP	1
509	7691191	PROP ROD - BATTERY COVER / SEAT PLATE	1
510	9122220	3/8-16 X 3/4 HEX BOLT - PACK OF 5	2
511	9122100	3/8 SPLIT LOCK WASHER - PACK OF 10	2
512	9121400	3/8 I.D. X 7/8 O.D. X .064/.104 THICK WROUGHT WASHER (5/16)-PK-10	2
513	9122220	3/8-16 X 3/4 HEX BOLT - PACK OF 5	2
514	9122100	3/8 SPLIT LOCK WASHER - PACK OF 10	2
515	9121400	3/8 I.D. X 7/8 O.D. X .064/.104 THICK WROUGHT WASHER (5/16)-PK-10	2
516	9120370	7/32 I.D. X 1/2 O.D. X .032/.065 THICK FLAT WASHER (#10) - PACK OF 10	1
517	9120817	3/16 X 11/16 DOME HEAD POP RIVET - ALUMINUM - PACK OF 5	1
518	7691911	SOLUTION GAUGE	1
519	7691249	FILTER SCREEN ASSEMBLY	1
520	7692373	SOLUTION TANK MOUNTING BRACKET	2
521	9121600	5/16-18 X 5/8 HEX BOLT - PACK OF 5	1
522	9120940	5/16 I.D. X 3/4 O.D. X .051/.080 THICK WROUGHT WASHER (1/4)-PK-10	2
523	9121450	5/16-18 HEX NUT WITH NY-LOK INSERT - PACK OF 5	1
524	7692531	1/4 TURN STUD	2
525	7692701	BATTERY COMPARTMENT CORNER PLATE	1
526	7695203	UPPER MOUNTING BRACKET - RECOVERY TANK	1
527	9121400	3/8 I.D. X 7/8 O.D. X .064/.104 THICK WROUGHT WASHER (5/16)-PK-10	2
528	9122100	3/8 SPLIT LOCK WASHER - PACK OF 10	2
529	9122220	3/8-16 X 3/4 HEX BOLT - PACK OF 5	2
530	7691691	WIRING HARNESS: BATTERIES TO CONTROLLER	1
531	9120910	1/4-20 HEX NUT WITH STARLOCK WASHER - PACK OF 10	2
532	7690051	BATTERY BOX	1
533	2490601	FITTING, ELL 3/8 BARB X 1/4 MNPT	1
534	5092371	CORD CLAMP	1
535	8791070	3/8" I.D. X 1/2" O.D. VINYL HOSE - (CUT TO 18")	1.5'
536	3390661	TUBING CONTROL VALVE	1
537	7692551	1/4 TURN CLIP ON RECEPTACLE	2
538	9121400	3/8 I.D. X 7/8 O.D. X .064/.104 THICK WROUGHT WASHER (5/16)-PK-10	2
539	9122100	3/8 SPLIT LOCK WASHER - PACK OF 10	2
540	9122220	3/8-16 X 3/4 HEX BOLT - PACK OF 5	2
541	7692541	WASHER FOR 1/4 TURN STUD	2
542	2691731	SOLUTION TANK DRAIN FITTING	1
543	7693811	HOSE CLAMP - 9/16" TO 1 1/16"	1
544	7693781	3/4" DIAMETER X 6 1/2" LONG CONVOLUTED HOSE	1
545	7690061	SIDE COVER	1
546	9121000	1/4-20 X 5/8 TRUSS HEAD PHILLIPS MACHINE SCREW - PACK OF 5	4
547	9120950	1/4 I.D. X 1 1/4 O.D. FENDER WASHER - PACK OF 10	4
548	7690011	SOLUTION TANK	1
549	7691013	SOLUTION TANK MOUNTING BRACKET - RIGHT	1
550	9121400	3/8 I.D. X 7/8 O.D. X .064/.104 THICK WROUGHT WASHER (5/16)-PK-10	1
551	9122100	3/8 SPLIT LOCK WASHER - PACK OF 10	1
552	9122220	3/8-16 X 3/4 HEX BOLT - PACK OF 5	1
553	9121400	3/8 I.D. X 7/8 O.D. X .064/.104 THICK WROUGHT WASHER (5/16)-PK-10	1
554	9122100	3/8 SPLIT LOCK WASHER - PACK OF 10	1
555	9122220	3/8-16 X 3/4 HEX BOLT - PACK OF 5	1
556	7691091	3/8 EXTERNAL E-RING - PROP ROD	2
557	9124010	M8 -1.25 X 20mm LONG HEX HEAD CAP SCREW	4

SOLUTION TANK ASSEMBLY



<u>ITEM</u>	<u>PART NO.</u>	<u>DESCRIPTION</u>	<u>QTY</u>
559	9120940	5/16 I.D. X 3/4 O.D. X .051/.080 THICK WROUGHT WASHER (1/4)-PK-10	4
560	7692691	BATTERY COVER / SEAT PLATE	1
561	9120930	9/32 I.D. X 5/8 O.D. X .051/.080 THICK SAE FLAT WASHER (1/4)-PK-10	3
562	9120970	1/4 EXTERNAL STAR LOCK WASHER - PACK OF 10	3
563	9121000	1/4-20 X 5/8 TRUSS HEAD PHILLIPS MACHINE SCREW - PACK OF 5	3
564	9120307	1/8 X 3/16 DOME HEAD POP RIVET - ALUMINUM - PACK OF 5	1
566	9120970	1/4 STAR LOCK WASHER - PACK OF 10	4

ELECTRICAL COMPONENTS

<u>PART NO.</u>	<u>DESCRIPTION</u>	<u>QTY</u>	<u>PART NO.</u>	<u>DESCRIPTION</u>	<u>QTY</u>
0693141	RUBBER SWITCH BOOT	4	7691691	WIRING HARNESS:	1
2391981	BATTERY JUMPER 3/8" RING	5		BATTERIES TO CONTROLLER	
2398181	1/4 RING 16-14 AWG	1	7691701	MAIN WIRING HARNESS	1
2690551	VAC MOTOR, 36 VOLT	1	7691721	LCD TO SWITCH	1
2792571	CARBON BRUSH - VAC MOTOR	2	7691731	GROUND WIRE	2
2690581	1/4 SPADE MALE TERM 10-12 AWG	2	7691751	WIRE ASSEMBLY HIGH REFERENCE	1
2694131	POTENTIOMETER	1	7691741	BACKUP ALARM WIRE	1
3390411	FORWARD - REVERSE SWITCH	2	7691761	WIRE ASSEMBLY LOW REFERENCE	1
3393521	ACTUATOR, EMERGENCY STOP	1	7696011	AUXILIARY HARNESS – CONTROLER	1
7691301	EMERGENCY STOP BLOCK	1	7691801	SEAT SWITCH, SCREW	1
4491101	TOGGLE SWITCH, MOTOR	2	7692601	SEAT SWITCH, TWIST MOUNT	1
4890791	CIRCUIT BREAKER - 2 AMP	2	7692091	ACTUATOR SETTING INSTRUCTIONS	1
4990321	FUSE HOLDER W/NUT	1	7692511	KEY SWITCH WITH KEY	1
4991371	FULLY INSULATED MALE TERMINAL	2	7692521	REPLACEMENT KEY FOR 7692511	1
6496441	CIRCUIT BREAKER - 125 AMP	1	7695561	CHASSIS DRIVE 300	1
6492051	TERMINAL BOOT (BLACK)	4	7695271	CARBON BRUSH - DRIVE WHEEL	4
6498601	36V ONBOARD CHARGER – 25A/120V	1	7690091	BRUSH MOTOR	1
6498701	36V ONBOARD CHARGER – 25A/240V	1	7692041	CARBON BRUSH - BRUSH MOTOR	4
6495701	120V ONBOARD CHARGER CORD	1	7692911	CONTROLLER TO DRIVE MOTOR	1
6495711	240V ONBOARD CHRGR CORD,TYPE F	1	7695211	WIRING ANDERSON TO +/- BATTERY	1
6496451	FAST-ACTING FUSE 2 AMP	3	7695191	LVLE HORN WIRE	1
6496951	WIRE, SPEED CONTROL TO HOURMTR	1	7691829	OVERHEAD LIGHT KIT	1
7692621	SOLUTION SOLENOID VALVE	1	7691821	OVERHEAD LIGHT	1
7695979	SQUEEGEE ACTUATOR MOTOR KIT	1	7692031	STROBE LIGHT BULB	1
7695989	BRUSH ACTUATOR MOTOR KIT	1	9123000	11" LONG WIRE TIE - PACK OF 5	1
7691201	MACHINE CONTROL SYSTEM	1	9123005	1/8 X 5 1/2 WIRE TIE - PACK OF 5	5
7691211	LCD MODULE	1	9123220	BATTERY TERMINAL BOOT	12
7691221	BACK UP ALARM	1	2690951	350AH BATTERY,6V,DRY,BAT ACID	6
7691621	CIRCUIT BREAKER	1	2691501	350AH BATTERY, 6V, WET	6
7691631	PUSH BUTTON SWITCH	2	3390361	235AH BATTERY, 6V, WET	6
7691641	EMERGENCY STOP TO KEY SWITCH	1	3390951	235AH BATTERY, 6V, DRY	6
7691651	CONTROLLER TO LCD	1	7691401	430AH BATTERY, 6V, WET	6
7691671	CONTROLLER TO BRUSH	1	7691421	430AH BATTERY, 6V, DRY	6

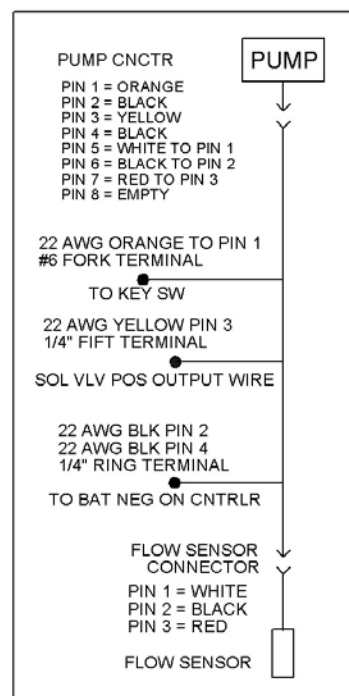
P3 INPUT / OUTPUT CONTROL CONNECTIONS

<u>PIN NO.</u>		<u>PIN NO.</u>	
1		11	VACUUM MODE INPUT
2		12	BRUSH MODE INPUT
3	TRACTION SPEED INPUT	13	
4		14	INHIBIT INPUT
5		15	
6		16	HIGH SWITCH REF 5V
7	HORN OUTPUT	17	ALARM OUTPUT
8	ON / OFF REF (B+)	18	ON / OFF INPUT
9	THROTTLE LD. REF	19	LOW SWITCH REF OV
10	THROTTLE WIPER	20	THROTTLE HI REF

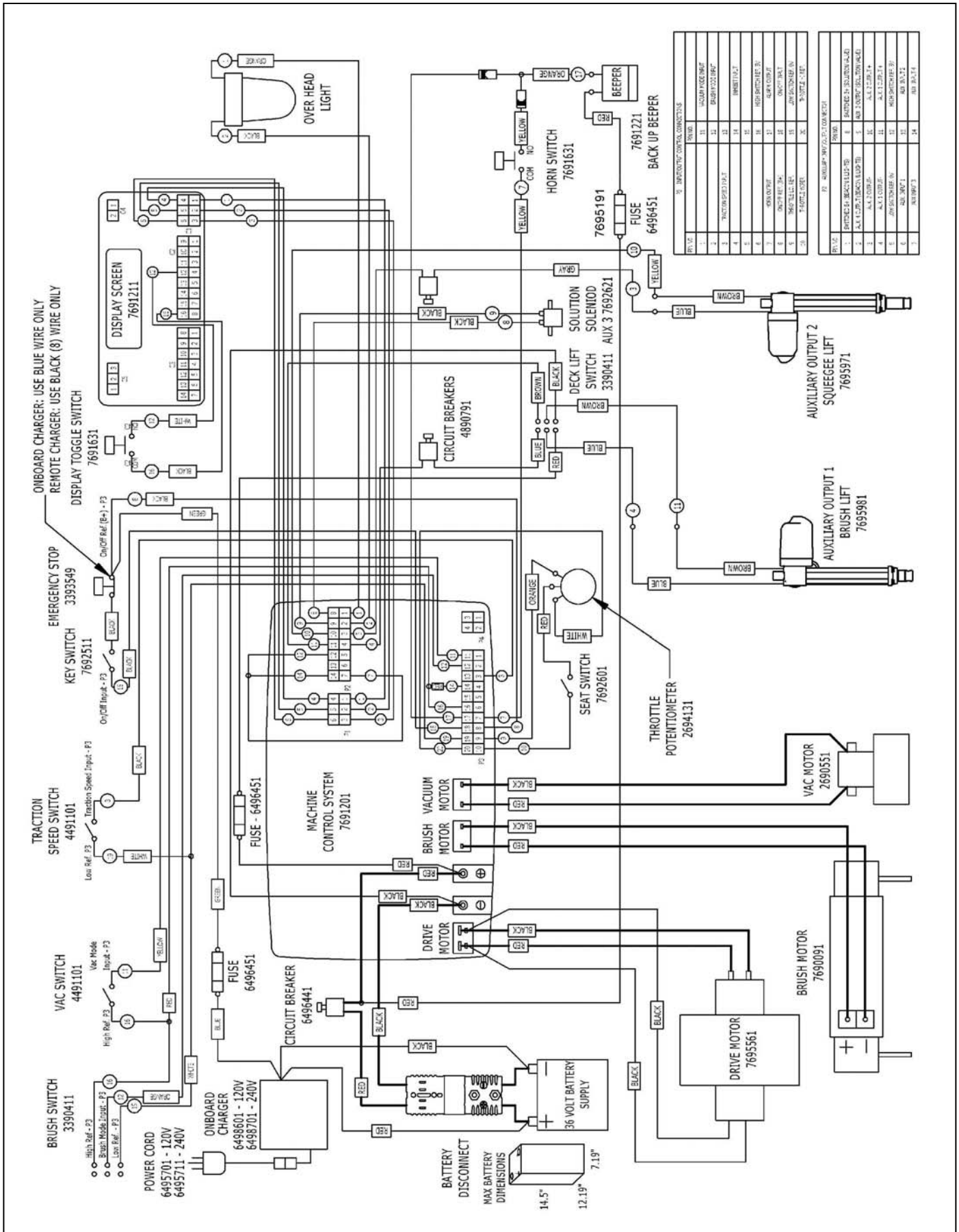
P2 AUXILLARY INPUT / OUTPUT CONNECTOR

<u>PIN NO.</u>		<u>PIN NO.</u>	
1	SWITCH B+ (BEACON & LIGHTS)	8	SWITCHED B+ (SOLUTION VALVE)
2	AUX 4 OUTPUT (BEACON & LIGHTS)	9	AUX 3 OUTPUT (SOLUTION VALVE)
3	AUX 2 OUTPUT -	10	AUX 2 OUTPUT +
4	AUX 1 OUTPUT -	11	AUX 1 OUTPUT +
5	LOW SWITCH REF OV	12	HIGH SWITCH REF 5V
6	AUX INPUT 1	13	AUX INPUT 2
7	AUX INPUT 3	14	AUX INPUT 4

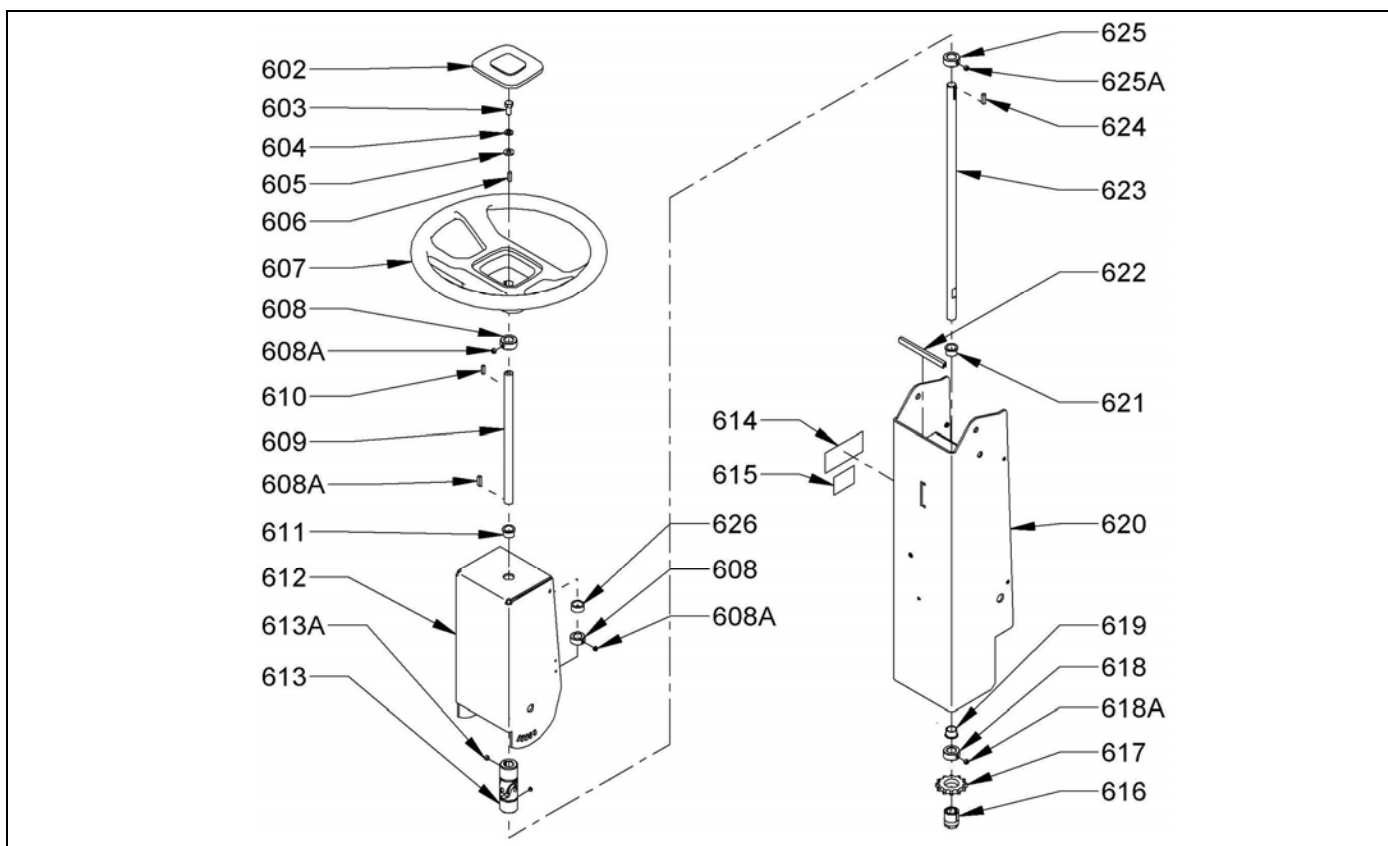
Optional Sidekick Wiring Diagram



WIRING DIAGRAM

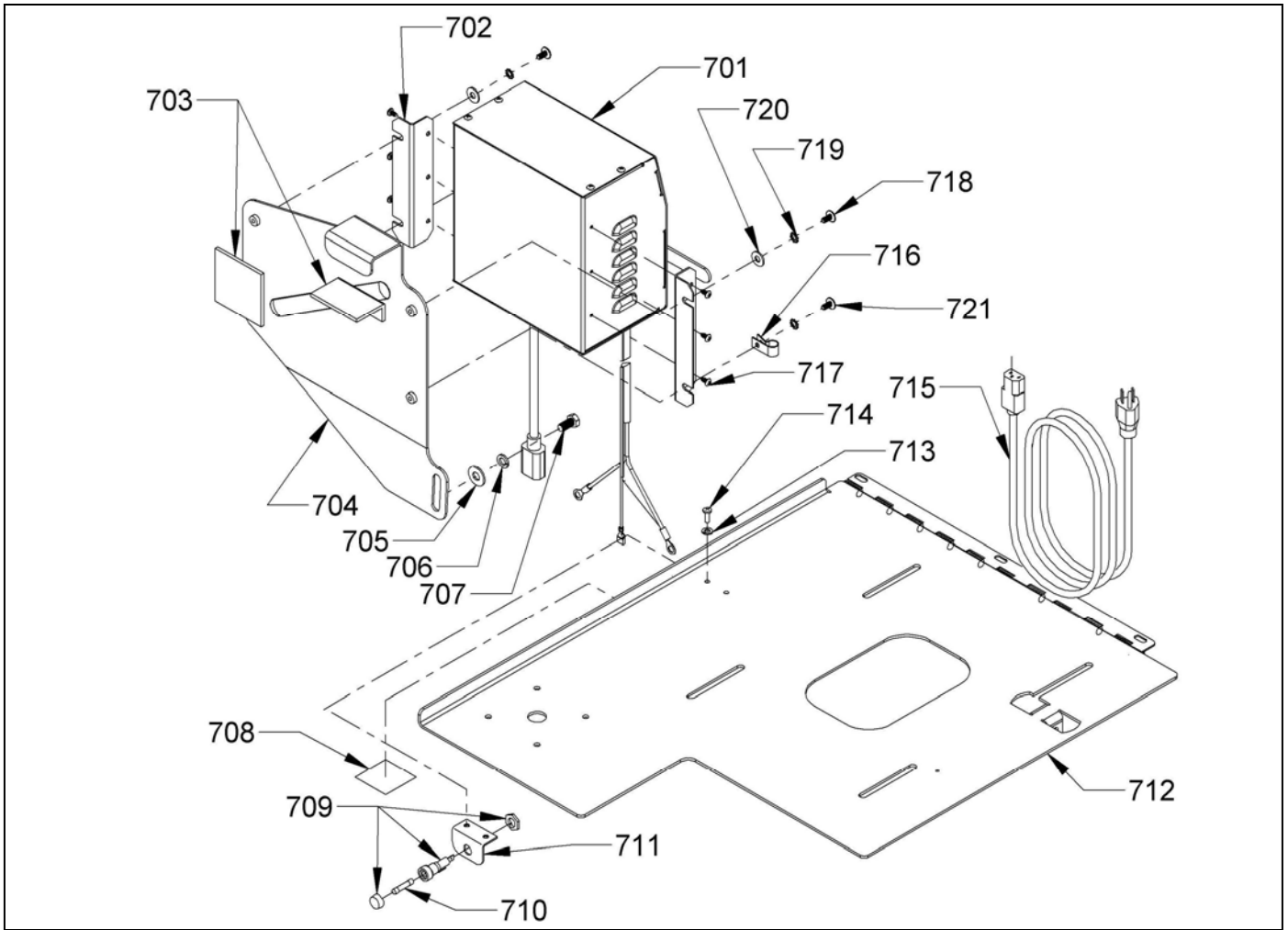


INNER STEERING COLUMN ASSEMBLY



ITEM	PART NO.	DESCRIPTION	QTY
602	7690631	CAP - STEERING WHEEL	1
603	9121640	5/16-18 X 3/4 HEX BOLT - PACK OF 5	1
604	9121520	5/16 SPLIT LOCK WASHER - PACK OF 10	1
605	9121985	13/32 I.D. X 1 O.D. X .12 THICK FLAT WASHER (11 GAUGE) - PACK OF 1	1
606	9120827	3/16 SQUARE X 1 LONG KEY - STEEL - PACK OF 2	1
607	7690611	STEERING WHEEL	1
608	7690661	5/8 SET COLLAR / STEERING SHAFT - INCLUDES:	2
608A	9121380	5/16-18 X 3/8 SET SCREW - KNURL POINT - PACK OF 2	2
609	7690921	UPPER STEERING SHAFT	1
610	9120827	3/16 SQUARE X 1 LONG KEY - STEEL - PACK OF 2	2
611	2790761	BEARING, FLANGE	1
612	7690733	UPPER COLUMN	1
613	7690621	UNIVERSAL JOINT - STEERING - INCLUDES:	1
613A	9121380	5/16-18 X 3/8 SET SCREW - KNURL POINT - PACK OF 2	2
614	5392401	WARNING - FIRE DECAL	1
615	0396141	CALIFORNIA PROP 65 LABEL	1
616	7691311	TRAN - TORQUE KEYLESS BUSHING	1
617	7691321	SPROCKET	1
618	7690661	5/8 SET COLLAR / STEERING SHAFT - INCLUDES:	1
618A	9121380	5/16-18 X 3/8 SET SCREW - KNURL POINT - PACK OF 2	1
619	2790761	BEARING, FLANGE	1
620	7692921	STEERING COLUMN - BASE	1
621	2790761	BEARING, FLANGE	1
622	9997590	EDGE TRIM (CUT TO 5 3/4")	.5'
623	7690911	LOWER STEERING SHAFT	1
624	9120818	3/16 SQUARE X 3/4 LONG KEY - STEEL - PACK OF 2	1
625	7690661	5/8 SET COLLAR / STEERING SHAFT - INCLUDES:	1
625A	9121380	5/16-18 X 3/8 SET SCREW - KNURL POINT - PACK OF 2	1
626	4492921	SPACER	1

ONBOARD CHARGER

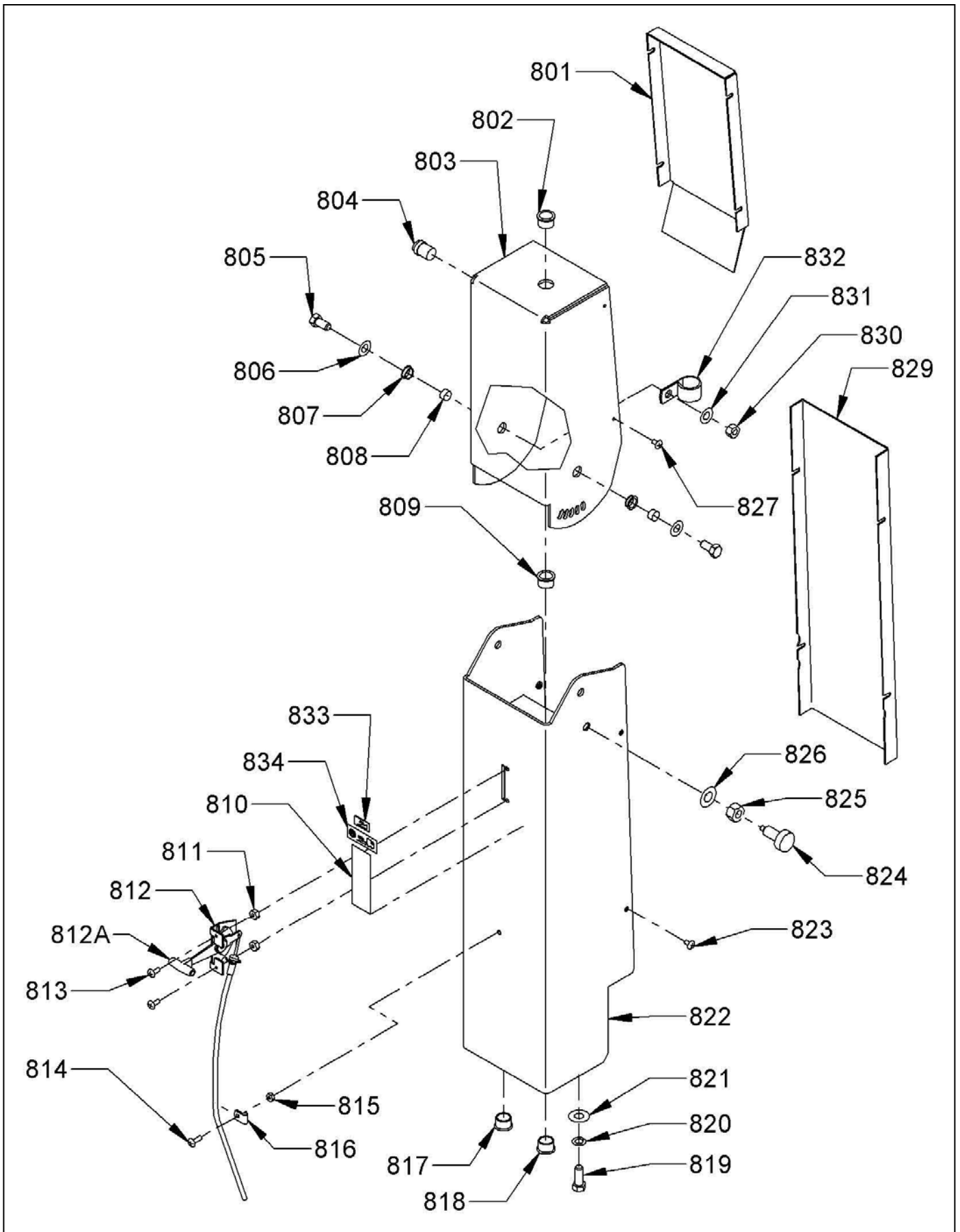


<u>ITEM</u>	<u>PART NO.</u>	<u>DESCRIPTION</u>	<u>QTY</u>
701	6498601	36 VOLT ONBOARD CHARGER 120 VOLT, 25 AMP	1
	6498701	36 VOLT ONBOARD CHARGER 240 VOLT, 25 AMP	1
	2695861	CORD WRAP	1
702	2695841	CHARGER MOUNTING BRACKET	2
703	7692711	MOUNTING BRACKET PAD	2
704	7692681	ONBOARD CHARGER MOUNT	1
705	9120930	1/4 FLAT WASHER - PACK OF 2	1
706	9120880	1/4 LOCK WASHER - PACK OF 10	1
707	9121250	1/4-16 X 3/4" LONG HEX HEAD BOLT - PACK OF 5	1
708	3394721	FUSE LABEL	1
709	4990321	FUSE HOLDER WITH NUT & WASHER	1
710	6496451	FAST-ACTING FUSE 2 AMP	1
711	7692253	FUSE HOLDER MOUNT	1
712	7692691	BATTERY COVER/SEAT PLATE	1
713	9120330	#10 EXTERNAL STAR LOCK WASHER - PACK OF 10	2
714	9120500	#10-24 X 3/8 FLAT HEAD PHILLIPS MACHINE SCREW - PACK OF 10	2
715	6495701	120 VOLT ONBOARD CHARGER CORD	1
	6495711	240 VOLT ONBOARD CHARGER CORD	1
716	3291111	CORD CLAMP	1
717	9120810	#10 X 1/2 PAN HEAD SHEET METAL SCREW - PACK OF 10	6
718	9121090	1/4-20 X 1/2 TRUSS HEAD PHILLIPS MACHINE SCREW - PACK OF 5	2
719	9120970	1/4 STAR LOCK WASHER - PACK OF 10	4
720	9120940	1/4 FLAT WASHER - PACK OF 10	2
721	9121045	1/4-20 X 1/2 ROUND HEAD MACHINE SCREW - PACK OF 10	2

STEERING COLUMN ASSEMBLY

<u>ITEM</u>	<u>PART NO.</u>	<u>DESCRIPTION</u>	<u>QTY</u>
801	7690743	TILT COLUMN COVER	1
802	2790761	BEARING, FLANGE	1
803	7690733	UPPER COLUMN	1
804	7691631	PUSH BUTTON SWITCH	1
805	9122300	3/8-16 X 1 1/4 HEX BOLT - PACK OF 2	2
806	9121400	3/8 I.D. X 7/8 O.D. X .064/.104 THK WROUGHT WASHER (5/16) - PACK OF 10	2
807	7690691	NYLINER - STEERING TILT	2
808	2691181	PIVOT SPACER, STABILIZER BAR	2
809	2790761	BEARING, FLANGE	1
810	7693471	BLACK AND WHITE MINI KIT	1
811	9120360	#10-24 HEX NUT WITH STAR LOCK WASHER - PACK OF 10	2
812	7692331	SOLUTION LEVER AND CABLE ASSEMBLY	1
812A	7692341	SOLUTION LEVER AND CABLE ASSEMBLY T-KNOB	1
813	9120420	#10-24 X 5/8 ROUND HEAD PHILLIPS MACHINE SCREW - PACK OF 10	2
814	9120420	#10-24 X 5/8 ROUND HEAD PHILLIPS MACHINE SCREW - PACK OF 10	1
815	9120360	#10-24 HEX NUT WITH STAR LOCK WASHER	1
816	5294201	NYLON CABLE CLAMP	1
817	4890451	BUSHING, SNAP IN	1
818	2790761	BEARING, FLANGE	1
819	9122260	3/8-16 X 1 HEX BOLT - PACK OF 2	4
820	9122100	3/8 SPLIT LOCK WASHER - PACK OF 10	4
821	9121400	3/8 I.D. X 7/8 O.D. X .064/.104 THK WROUGHT WASHER (5/16) - PACK OF 10	4
822	7692921	STEERING COLUMN – BASE	1
823	9120500	#10-24 X 3/8 TRUSS HEAD PHILLIPS MACHINE SCREW - PACK OF 10	4
824	7690701	RETRACTABLE PLUNGER - TILT STEERING	1
825	9122680	1/2-13 HEX JAM NUT - PACK OF 1	1
826	9122450	17/32 I.D. X 1 1/16 O.D. X .074/.121 THK SAE FLAT WASHER (1/2) - PK OF 5	1
827	9120500	#10-24 X 3/8 TRUSS HEAD PHILLIPS MACHINE SCREW - PACK OF 10	4
829	7690723	COVER – BASE	1
830	9122140	3/8-16 HEX NUT WITH NY-LOCK INSERT - PACK OF 5	2
831	9121400	3/8 I.D. X 7/8 O.D. X .064/.104 THK WROUGHT WASHER (5/16) - PACK OF 10	2
832	2395761	CLAMP, TUBE	1
833	3394561	LABEL, MAX INCLINE	1
834	3394731	LABEL, MAX CLIMBING INCLINE	1

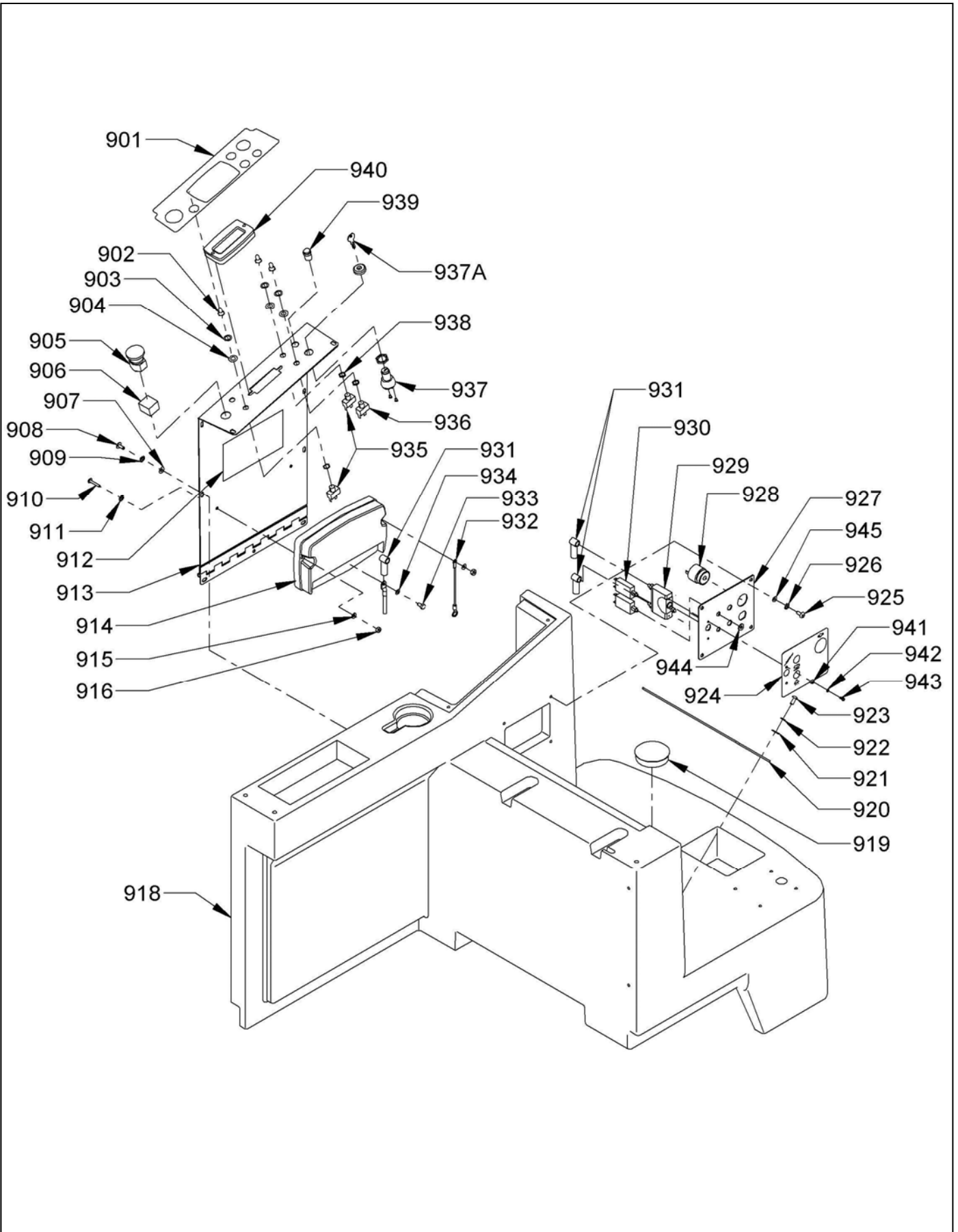
STEERING COLUMN ASSEMBLY



STANDARD ELECTRICAL PANEL ASSEMBLY

ITEM	PART NO.	DESCRIPTION	QTY
901	7691811	ELECTRICAL PANEL LABEL (WITH TRACTION SPEED SWITCH)	1
902	0693141	RUBBER SWITCH BOOT	3
903	9121975	1/2" INTERNAL STAR LOCK WASHER – PACK OF 5	3
904	9122465	.516 I.D. X .813 O.D. X .027/.030 THICK FLAT WASHER	3
905	3393549	EMERGENCY STOP KIT	1
906	7691301	EMERGENCY STOP BLOCK	1
907	9120930	9/32 I.D. X 5/8 O.D. X .051/.080 THICK SAE FLAT WASHER (1/4) - PACK OF 10	7
908	9121000	1/4-20 X 5/8 TRUSS HEAD PHILLIPS MACHINE SCREW - PACK OF 5	7
909	9120970	1/4 EXTERNAL STAR LOCK WASHER - PACK OF 10	7
910	9120460	#10-24 X 1 1/4 ROUND HEAD PHILLIPS MACHINE SCREW - PACK OF 5	2
911	9120330	#10 EXTERNAL STAR LOCK WASHER - PACK OF 10	2
912	7692931	WIRING DIAGRAM LABEL	1
913	7694333	ELECTRICAL PANEL	1
914	7691201	MACHINE CONTROL SYSTEM	1
915	9120370	7/32 I.D. X 1/2 O.D. X .032/.065 THK SAE FLAT WASHER (#10) - PACK OF 10	2
916	9120350	#10-24 HEX NUT WITH NY-LOK INSERT - PACK OF 10	2
918	7690011	SOLUTION TANK	1
919	6490791	PLUG 3"	1
920	7690123	ACTUATOR COVER PANEL	1
921	9120930	9/32 I.D. X 5/8 O.D. X .051/.080 THICK SAE FLAT WASHER (1/4) - PACK OF 10	4
922	9120970	1/4 EXTERNAL STAR LOCK WASHER - PACK OF 10	4
923	9121000	1/4-20 X 5/8 TRUSS HEAD PHILLIPS MACHINE SCREW - PACK OF 5	4
924	7693471	BLACK AND WHITE MINI KIT	1
925	9121000	1/4-20 X 5/8 TRUSS HEAD PHILLIPS MACHINE SCREW - PACK OF 10	4
926	9120970	1/4 EXTERNAL STAR LOCK WASHER - PACK OF 10	4
927	7692781	PANEL - CIRCUIT BREAKER	1
928	7691221	BACK UP ALARM	1
929	6496441	CIRCUIT BREAKER - 125 AMP	1
930	4890791	CIRCUIT BREAKER - 2 AMP	2
931	7692421	TERMINAL BOOT	3
932	7691731	GROUND WIRE	1
933	9120835	M6 X 12.7 HEX HEAD BOLT - PACK OF 2	2
934	9120970	1/4 EXTERNAL STAR LOCK WASHER - PACK OF 10	2
935	4491101	TOGGLE SWITCH, MOTOR - INCLUDES:	2
936	3390411	FORWARD - REVERSE SWITCH - INCLUDES:	1
937	7692511	KEY SWITCH WITH KEY	1
937A	7692521	REPLACEMENT KEY FOR 7692511	1
938	0798821	5/8 HEX NUT (LARGE NUT)	3
939	7691631	PUSH BUTTON SWITCH	1
940	7691211	LCD MODULE	1
941	9120027	5/32 I.D. X 3/8 O.D. X 5/64 THK SAE FLAT WASHER (#6) – PACK OF 5	2
942	9120030	#6 SPLIT LOCK WASHER – PACK OF 10	2
943	9120070	#6-32 X 3/8 ROUND HEAD PHILLIPS MACHINE SCREW – PACK OF 10	2
944	9121400	3/8 I.D. X 7/8 O.D. WROUGHT FLAT WASHER (5/16) – PACK OF 10	2
945	9120930	9/32 I.D. X 5/8 O.D. X .051/.080 THICK SAE FLAT WASHER (1/4) - PACK OF 10	4

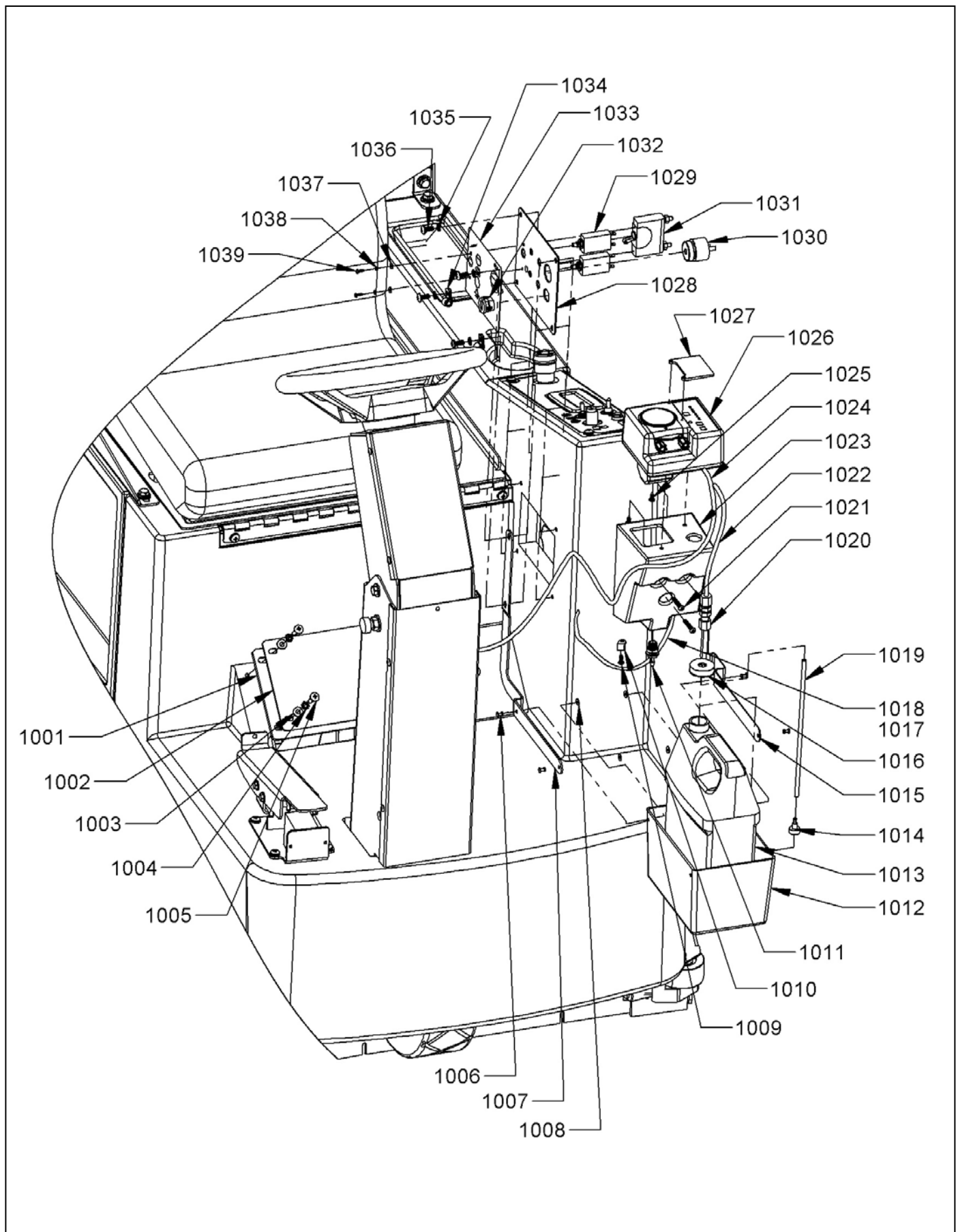
STANDARD ELECTRICAL PANEL ASSEMBLY



SIDEKICK & ELECTRICAL PANEL ASSEMBLY

ITEM	PART NO.	DESCRIPTION	QTY
1001	7692851	ACTUATOR COVER GASKET (SIDEKICK ONLY)	1
1002	7690123	ACTUATOR COVER PANEL	1
1003	9120930	9/32 I.D. X 5/8 O.D. X .051/.080 THICK SAE FLAT WASHER (1/4) - PACK OF 10	4
1004	9120970	1/4 EXTERNAL STAR LOCK WASHER - PACK OF 10	4
1005	9121020	1/4-20 X 1" TRUSS HEAD PHILLIPS MACHINE SCREW - PACK OF 5	4
1006	9120319	5/32 X 3/8 POP RIVET - PACK OF 5 (SIDEKICK ONLY)	4
1007	7692891	INNER BOTTLE HOLDER STRAP (SIDEKICK ONLY)	1
1008	9120185	5/32 ID BACKUP WASHER - PACK OF 6 (SIDEKICK ONLY)	4
1009	9120790	#10 X 5/8 PAN HEAD PHILLIPS SHEETMETAL SCREW - PACK OF 10 (SK ONLY)	1
1010	6793651	CABLE CLAMP (SIDEKICK ONLY)	1
1011	2693991	1/4 BARB X 1/4 NPT BULKHEAD FITTING (SIDEKICK ONLY)	1
1012	7692871	BOTTLE HOLDER (SIDEKICK ONLY)	1
1013	9590171	F-STYLE BOTTLE (OPTIONAL) (SIDEKICK ONLY)	1
1014	9590291	SUCTION STRAINER (SIDEKICK ONLY)	1
1015	7692881	OUTER BOTTLE HOLDER STRAP (SIDEKICK ONLY)	1
1016	9590271	38mm BOTTLE CAP (SIDEKICK ONLY)	1
1017	7693241	STRAIN RELIEF (SIDEKICK ONLY)	1
1018	7692861	SIDEKICK CABLE (SIDEKICK ONLY)	1
1019	9590321	1/4 OD NYLON TUBING - CUT TO LENGTH AS REQ'D (SIDEKICK ONLY)	1
1020	9590281	1/4 JACO BULKHEAD FITTING	1
1021	9120793	#10 X 1 1/2 PAN HEAD PHILLIPS SHEETMETAL SCREW (SK ONLY)	3
1022	9590321	1/4 OD NYLON TUBING X 12" LONG (SIDEKICK ONLY)	1
1023	7692791	SIDEKICK PUMP MOUNT (SIDEKICK ONLY)	1
1024	9590321	1/4 OD NYLON TUBING X 65" LONG (SIDEKICK ONLY)	1
1025	9120810	#10 X 1/2 PAN HEAD PHILLIPS SHEETMETAL SCREW - PACK OF 10 (SK ONLY)	2
1026	9590101	KIT, SIDEKICK CHEMICAL METERING	1
	9590121	REPLACEMENT PUMP TOP HOUSING	1
	9590131	REPLACEMENT PUMP BOTTOM HOUSING	1
	9590311	REPLACEMENT SPINNER ASSY	1
	9590141	REPLACEMENT SQUEEZE TUBE WITH FITTINGS	1
	9590151	REPLACEMENT SQUEEZE TUBE COVER	1
1014	9590291	SUCTION STRAINER	1
1027	9590189	KIT, CONTROL COVER-SIDEKICK - OPTIONAL; INCLUDES	1
	3394261	DILUTION CONTROL COVER	1
	9590191	#6 X 1/2 TAMPERPROOF SCREW	2
	9590201	TAMPERPROOF SCREW TOOL	1
1028	7692741	CIRCUIT BREAK PANEL	1
1029	4890791	CIRCUIT BREAKER - 2 AMP	2
1030	7691221	BACK UP ALARM	1
1031	6496441	CIRCUIT BREAKER - 125 AMP	1
1032	7693241	STRAIN RELIEF (SIDEKICK ONLY)	1
1033	7693471	BLACK AND WHITE MINI KIT	1
1034	3291111	CORD CLAMP (SIDEKICK ONLY)	2
1035	9120970	1/4 EXTERNAL STAR LOCK WASHER - PACK OF 10	4
1036	9121000	1/4-20 X 5/8 TRUSS HEAD PHILLIPS MACHINE SCREW - PACK OF 10	4
1037	9120027	5/32 I.D. X 3/8 O.D. X 5/64 THK SAE FLAT WASHER (#6) - PACK OF 5	2
1038	9120030	#6 SPLIT LOCK WASHER - PACK OF 10	2
1039	9120070	#6-32 X 3/8 ROUND HEAD PHILLIPS MACHINE SCREW - PACK OF 10	2

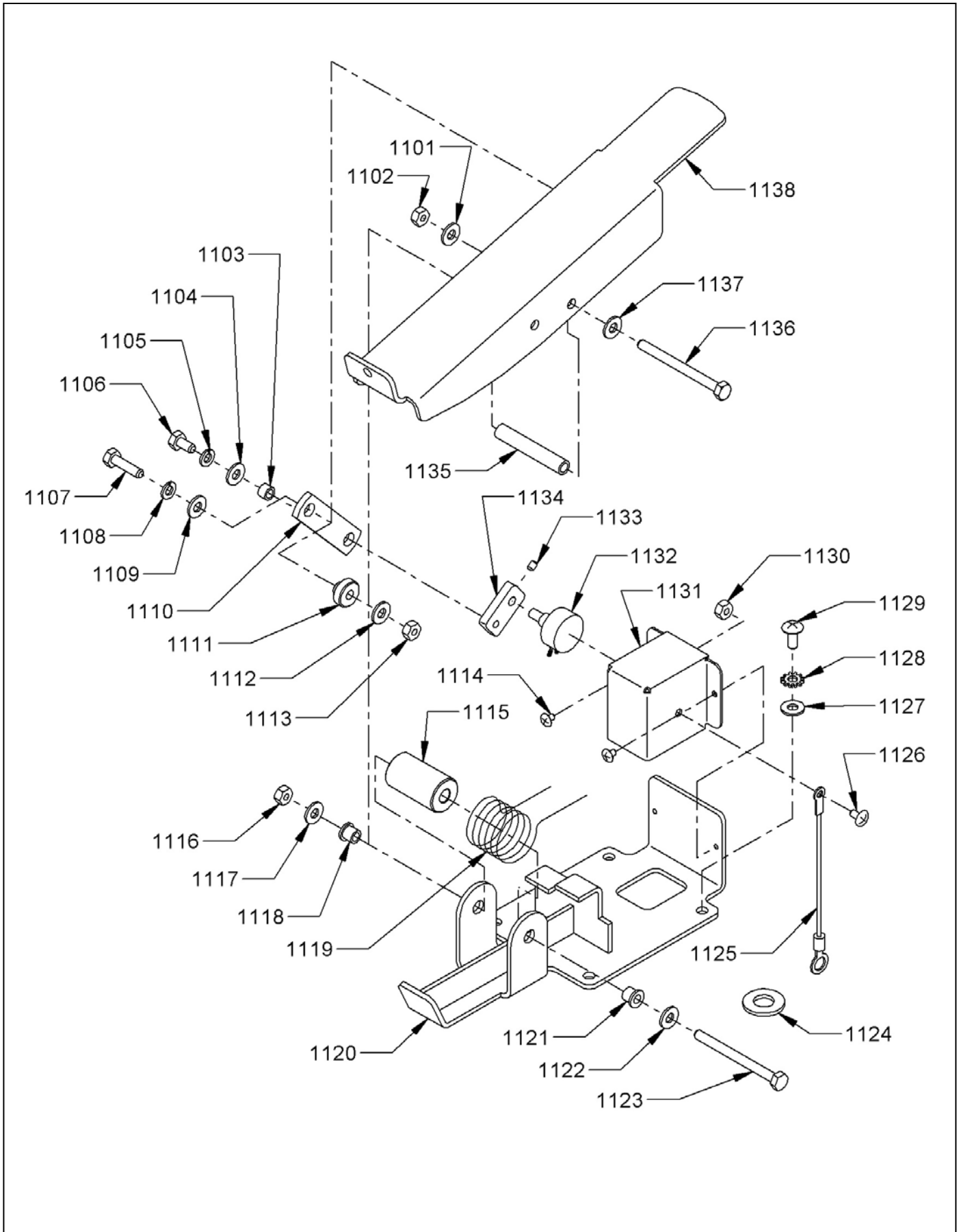
SIDEKICK & ELECTRICAL PANEL ASSEMBLY



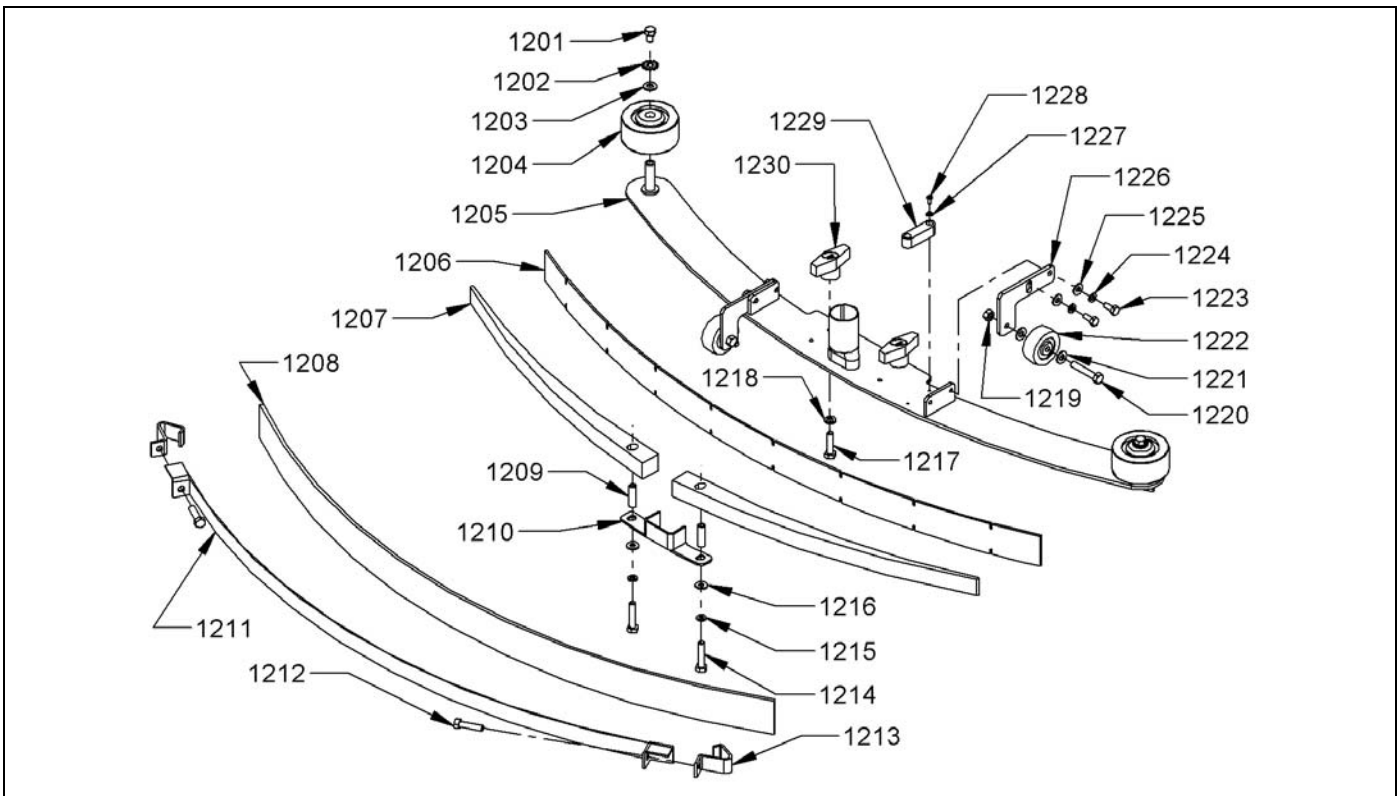
ACCELERATOR PEDAL ASSEMBLY

ITEM	PART NO.	DESCRIPTION	QTY
1101	9120930	9/32 I.D. X 5/8 O.D. X .051/.080 THICK SAE FLAT WASHER (1/4) - PACK OF 10	1
1102	9120900	1/4-20 HEX NUT WITH NY-LOK INSERT - PACK OF 10	1
1103	2791281	BUSHING SPACER	1
1104	9120930	9/32 I.D. X 5/8 O.D. X .051/.080 THICK SAE FLAT WASHER (1/4) - PACK OF 10	1
1105	9120880	1/4 SPLIT LOCK WASHER - PACK OF 10	1
1106	9121210	1/4-20 X 5/8 HEX BOLT - PACK OF 10	1
1107	9121060	1/4-20 X 1 1/4 HEX BOLT - PACK OF 5	1
1108	9120880	1/4 SPLIT LOCK WASHER - PACK OF 10	1
1109	9120930	9/32 I.D. X 5/8 O.D. X .051/.080 THICK SAE FLAT WASHER (1/4) - PACK OF 10	1
1110	7690891	ACCELERATOR PEDAL ARM	1
1111	2691771	PIN, SKIRT LATCH	1
1112	9120930	9/32 I.D. X 5/8 O.D. X .051/.080 THICK SAE FLAT WASHER (1/4) - PACK OF 10	1
1113	9120900	1/4-20 HEX NUT WITH NY-LOK INSERT - PACK OF 10	1
1114	9120210	8-32 X 1/4 TRUSS HEAD PHILLIPS MACHINE SCREW - PACK OF 10	2
1115	7690811	GUIDE	1
1116	9120900	1/4-20 HEX NUT WITH NY-LOK INSERT - PACK OF 10	1
1117	9120930	9/32 I.D. X 5/8 O.D. X .051/.080 THICK SAE FLAT WASHER (1/4) - PACK OF 10	1
1118	7690801	1/4 I.D. X 3/8 O.D. X 3/8 LONG FLANGE BEARING - THROTTLE PEDAL	1
1119	7690821	TORSION SPRING - ACCELERATOR PEDAL	1
1120	7691961	PIVOT BRACKET – ACCELERATOR	1
1121	7690801	1/4 I.D. X 3/8 O.D. X 3/8 LONG FLANGE BEARING - THROTTLE PEDAL	1
1122	9120930	9/32 I.D. X 5/8 O.D. X .051/.080 THICK SAE FLAT WASHER (1/4) - PACK OF 10	1
1123	9121350	1/4-20 X 3 HEX HEAD BOLT - PACK OF 3	1
1124	9122450	17/32 I.D. X 1-1/16 O.D. FLAT WASHER – PACK OF 5	1
1125	7691731	GROUND WIRE	1
1126	9120500	10-24 X 3/8 TRUSS HEAD PHILLIPS MACHINE SCREW - PACK OF 10	1
1127	9120930	9/32 I.D. X 5/8 O.D. X .051/.080 THICK SAE FLAT WASHER (1/4) - PACK OF 10	4
1128	9120970	1/4 EXTERNAL STAR LOCK WASHER - PACK OF 10	4
1129	9121000	1/4-20 X 5/8 TRUSS HEAD PHILLIPS MACHINE SCREW - PACK OF 5	1
1130	9120350	10-24 HEX NUT WITH NY-LOK INSERT - PACK OF 10	1
1131	7690851	COVER – POTENTIOMETER	1
1132	2694131	POTENTIOMETER - CURTIS SPEED CONTROL	1
1133	9120225	8-32 X 1/4 SET SCREW - KNURL POINT - ALLOY - PACK OF 10	1
1134	7690881	POTENTIOMETER ARM	1
1135	7691951	ACCELERATOR SPRING SPACER	1
1136	9121350	1/4-20 X 3 HEX HEAD BOLT - PACK OF 3	1
1137	9120930	9/32 I.D. X 5/8 O.D. X .051/.080 THICK SAE FLAT WASHER (1/4) - PACK OF 10	1
1138	7690833	PEDAL – ACCELERATOR	1

ACCELERATOR PEDAL ASSEMBLY

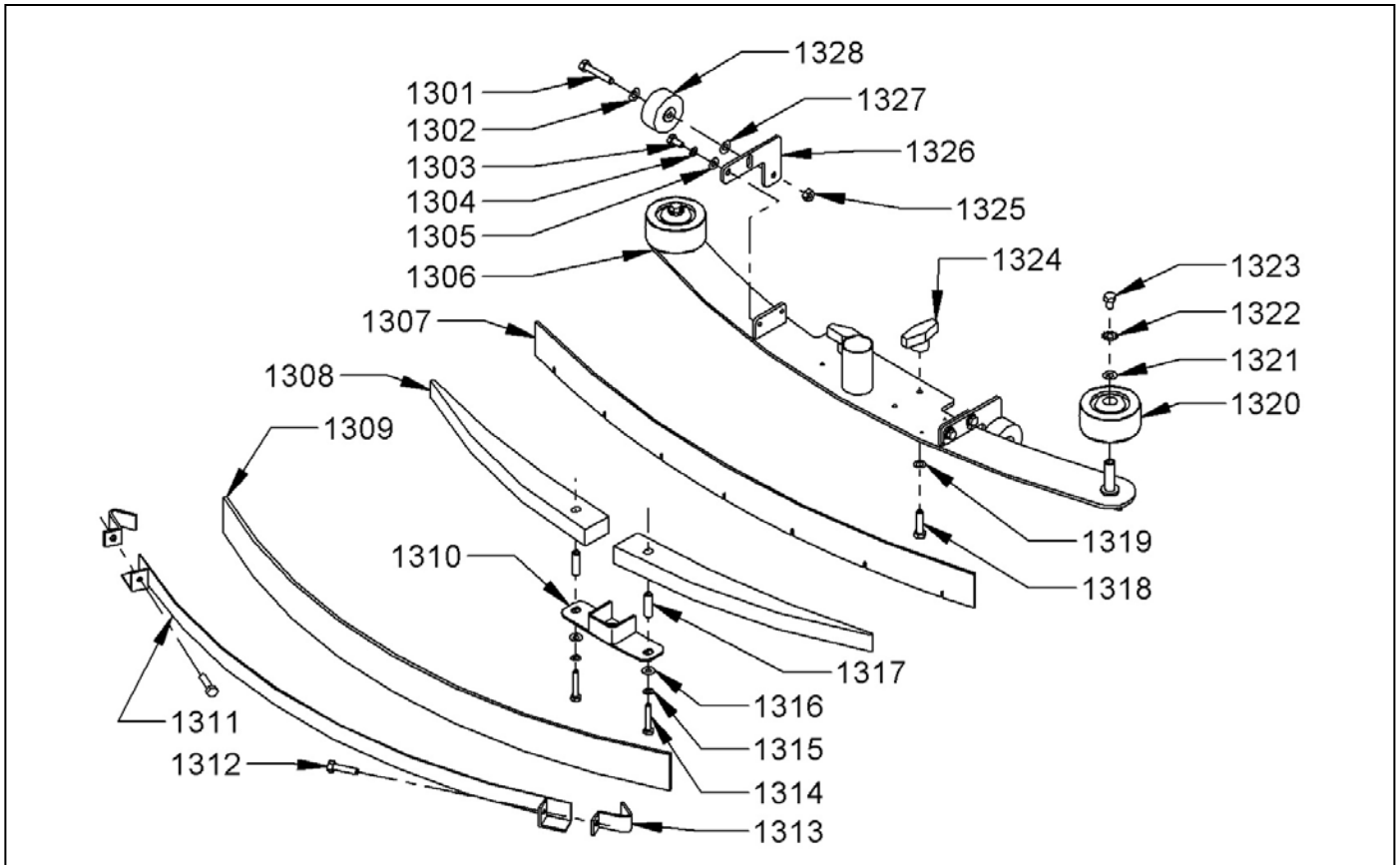


CURVED SQUEEGEE ASSEMBLY - 7693169



<u>ITEM</u>	<u>PART NO.</u>	<u>DESCRIPTION</u>	<u>QTY</u>
	7693169	CURVED SQUEEGEE ASSEMBLY 37" LONG - INCLUDES:	1
1201	9121560	5/16-18 X 1/2 HEX BOLT - PACK OF 5	2
1202	9121410	5/16 EXTERNAL STAR LOCK WASHER - PACK OF 10	2
1203	9121390	11/32 I.D. X 11/16 O.D. X .051/.080 THICK SAE FLAT WASHER (5/16)-PK-10	2
1204	2796301	3" BUMPER WHEEL	2
1205	7693151	MAIN SQUEEGEE HOUSING	1
1206	2492521	FRONT SQUEEGEE BLADE	1
1207	2492511	CENTER WEDGE	2
1208	7693371	REAR SQUEEGEE BLADE	1
1209	2492591	CENTER HOLD DOWN SPACER	2
1210	2492541	WEDGY CONTAINMENT BRACKET	1
1211	2492551	BLADE SECURING STRAP	1
1212	9121720	5/16-18 X 1 1/4 HEX HEAD FULL THREADED BOLT - PACK OF 2	2
1213	2492561	HOOKED END	2
1214	9121280	1/4-20 X 1 1/2 HEX BOLT - PACK OF 5	2
1215	9120880	1/4 SPLIT LOCK WASHER - PACK OF 10	2
1216	9120930	9/32 I.D. X 5/8 O.D. X .051/.080 THICK SAE FLAT WASHER (1/4)-PK-10	2
1217	9121720	5/16-18 X 1 1/4 HEX HEAD FULL THREADED BOLT - PACK OF 2	2
1218	9121520	5/16 SPLIT LOCK WASHER - PACK OF 10	2
1219	9121450	5/16-18 HEX NUT WITH NY-LOK INSERT - PACK OF 5	2
1220	9121760	5/16-18 X 1 3/4 HEX BOLT - PACK OF 2	2
1221	9121390	11/32 I.D. X 11/16 O.D. X .051/.080 THICK SAE FLAT WASHER (5/16)-PK-10	4
1222	2796321	ROLLER WHEEL	2
1223	9121210	1/4-20 X 5/8 HEX BOLT - PACK OF 10	4
1224	9120880	1/4 SPLIT LOCK WASHER - PACK OF 10	4
1225	9120930	9/32 I.D. X 5/8 O.D. X .051/.080 THICK SAE FLAT WASHER (1/4)-PK-10	4
1226	2492571	DOLLY WHEEL MOUNTING BRACKET	2
1227	9120030	#6 SPLIT LOCK WASHER - PACK OF 10	2
1228	9120070	#6-32 X 3/8 ROUND HEAD PHILLIPS MACHINE SCREW - PACK OF 10	2
1229	2492581	SQUEEGEE LEVEL	1
1230	3392971	T-KNOB - SQUEEGEE	2

OPTIONAL CURVED SQUEEGEE ASSEMBLY - 7694409

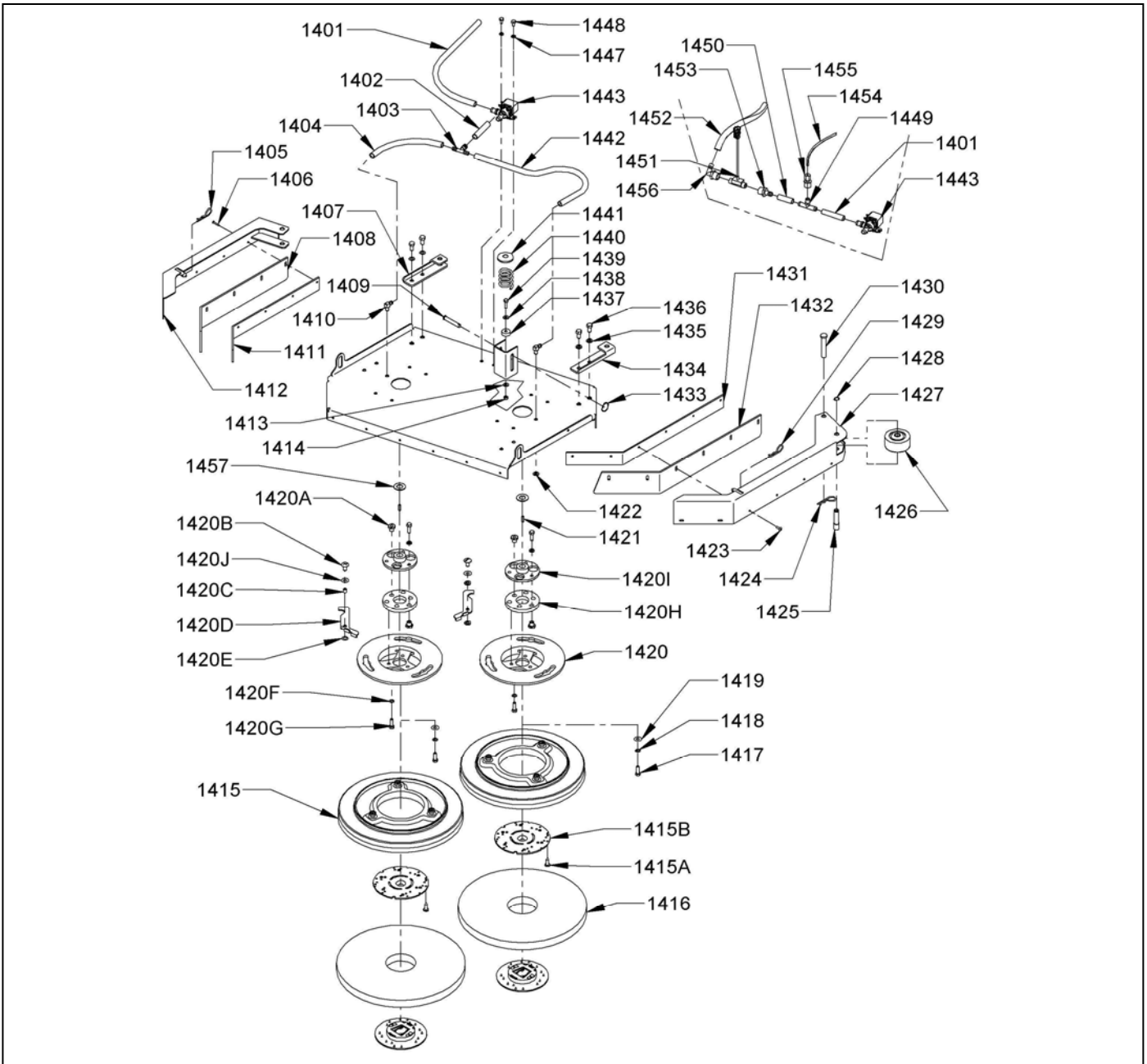


<u>ITEM</u>	<u>PART NO.</u>	<u>DESCRIPTION</u>	<u>QTY</u>
	7694409	CURVED SQUEEGEE ASSEMBLY - INCLUDES:	1
1301	9121760	5/16-18 X 1 3/4 HEX BOLT - PACK OF 2	2
1302	9121390	11/32 I.D. X 11/16 O.D. X .051/.080 THICK SAE FLAT WASHER (5/16)-PK-10	2
1303	9121210	1/4-20 X 5/8 HEX BOLT - PACK OF 10	4
1304	9120880	1/4 SPLIT LOCK WASHER - PACK OF 10	4
1305	9120930	9/32 I.D. X 5/8 O.D. X .051/.080 THICK SAE FLAT WASHER (1/4)-PK-10	4
1306	7694413	SQUEEGEE HOUSING	1
1307	7694421	FRONT SQUEEGEE BLADE	1
1308	7694441	WEDGY	2
1309	7694461	REAR SQUEEGEE BLADE - LINATEX	1
1310	7694471	WEDGY CONTAINMENT BRACKET	1
1311	7694451	BLADE SECURING STRAP	1
1312	9121720	5/16-18 X 1 1/4 HEX HEAD FULL THREADED BOLT - PACK OF 2	2
1313	2492561	HOOKED END	2
1314	9121280	1/4-20 X 1 1/2 HEX BOLT - PACK OF 5	2
1315	9120880	1/4 SPLIT LOCK WASHER - PACK OF 10	2
1316	9120930	9/32 I.D. X 5/8 O.D. X .051/.080 THICK SAE FLAT WASHER (1/4)-PK-10	2
1317	2492591	CENTER HOLD DOWN SPACER	2
1318	9121720	5/16-18 X 1 1/4 HEX HEAD FULL THREADED BOLT - PACK OF 2	2
1319	9121520	5/16 SPLIT LOCK WASHER - PACK OF 10	2
1320	2796301	BUMPER WHEEL	2
1321	9121390	11/32 I.D. X 11/16 O.D. X .051/.080 THICK SAE FLAT WASHER (5/16)-PK-10	2
1322	9121410	5/16 EXTERNAL STAR LOCK WASHER - PACK OF 10	2
1323	9121560	5/16-18 X 1/2 HEX BOLT - PACK OF 5	2
1324	3392971	T-KNOB - SQUEEGEE	2
1325	9121450	5/16-18 HEX NUT WITH NY-LOK INSERT - PACK OF 5	2
1326	2492571	DOLLY WHEEL MOUNTING BRACKET	2
1327	9121390	11/32 I.D. X 11/16 O.D. X .051/.080 THICK SAE FLAT WASHER (5/16)-PK-10	2
1328	2796321	ROLLER WHEEL	2

LOWER BRUSH DRIVE ASSEMBLY

ITEM	PART NO.	DESCRIPTION	QTY
1401	8791180	HOSE - VINYL 1/2" I.D. X 3/4" O.D. (CUT TO 18")	1.5'
	8791180	HOSE - VINYL 1/2" I.D. X 3/4" O.D. (CUT TO 2") (SIDEKICK ONLY)	.2'
1402	8791180	HOSE - VINYL 1/2" I.D. X 3/4" O.D. (CUT TO 2")	.2'
1403	7691371	TEE - 3/8 X 3/8 X 1/2	1
1404	8791070	HOSE - VINYL 3/8" I.D. X 1/2" O.D. (CUT TO 12")	1'
1405	7690491	#6 HAIR COTTER PIN	1
1406	9120510	#10-24 X 1/2 TRUSS HEAD PHILLIPS MACHINE SCREW - PACK OF 10	6
1407	7690481	SKIRT MOUNT BRACKET - LEFT HAND	1
1408	7690271	SIDE SKIRT BLADE - LEFT HAND	1
1409	7690311	3/8" DIAMETER X 2.505" LONG CLEVIS PIN	1
1410	5092630	90 DEGREE SOLUTION FEED TUBE	2
1411	7690281	SIDE SKIRT STRAP - LEFT HAND	1
1412	7690263	LEFT SIDE SKIRT	1
1413	9120930	9/32 I.D. X 5/8 O.D. X .051/.080 THICK SAE FLAT WASHER (1/4)-PK-10	1
1414	9120900	1/4-20 HEX NUT WITH NY-LOK INSERT - PACK OF 10	1
1415	7691491	PAD DRIVER 15" - INCLUDES:	2
1415B	5990731	SPRING CLIP PAD HOLDER SET	1
1415A	9120140	#6 X 5/8 PAN HEAD PHILLIPS SHEET METAL SCREW	3
1415	7691511	NYLON BRUSH 14" POLY BLOCK (OPTIONAL)	2
	7691521	STRATAGRIT BRUSH 14" POLY BLOCK (OPTIONAL)	2
1416	-----	PAD - SEE ACCESSORIES PAGE FOR TYPES	2
1417	9121680	5/16-18 X 1 HEX BOLT - PACK OF 5	2
1418	9121520	5/16 SPLIT LOCK WASHER - PACK OF 10	2
1419	9121985	13/32 I.D. X 1 O.D. X .12 THICK FLAT WASHER (11 GA) - PACK OF 1	2
1420	7691449	LEFT DRIVE CASTING ASSEMBLY	1
	7691459	RIGHT DRIVE CASTING ASSEMBLY	1
	2698072	DRIVE CASTING	2
1420A	2698081	DRIVE LUG	12
1420B	9121090	1/4-20 X 1/2 TRUSS HEAD PHILLIPS MACHINE SCREW - PACK OF 5	2
1420C	2791281	BUSHING SPACER	2
1420D	2790211	DRIVE PLATE LATCH	2
1420E	9122120	3/8 I.D. X 5/8 O.D. X .031 THICK WAVE SPRING WASHER - PACK OF 5	2
1420F	9121520	5/16 SPLIT LOCK WASHER - PACK OF 10	12
1420G	9121680	5/16-18 X 1 HEX BOLT - PACK OF 5	12
1420H	2698061	RUBBER MOUNT	2
1420I	7691382	DRIVE HUB	2
1420J	9121390	11/32 I.D. X 11/16 O.D. X .051/.080 THICK SAE FLAT WASHER (5/16)-PK-10	2
1421	9120829	3/6" SQUARE X 1 1/2" LONG KEY - PACK OF 4	2
1422	5092641	RETAINING RING	2
1423	9120510	#10-24 X 1/2 TRUSS HEAD PHILLIPS MACHINE SCREW - PACK OF 10	6
1424	7690491	#6 HAIR COTTER PIN	2
1425	7690941	BUMPER WHEEL AXLE	1
1426	2796301	BUMPER WHEEL	1
1427	7690233	RIGHT SIDE SKIRT	1
1428	9122496	RETAINING RING - PACK OF 8	1
1429	7690491	#6 HAIR COTTER PIN	1
1430	9122685	1/2 X 2 7/8 CLEVIS PIN	2
1431	7690251	SIDE SKIRT STRAP - RIGHT HAND	1
1432	7690241	SIDE SKIRT BLADE - RIGHT HAND	1
1433	7690491	#6 HAIR COTTER PIN	1
1434	7690471	SKIRT MOUNT BRACKET - RIGHT HAND	1
1435	9122100	3/8 SPLIT LOCK WASHER - PACK OF 10	4
1436	9122220	3/8-16 X 3/4 HEX BOLT - PACK OF 5	4
1437	7691361	ACTUATOR SPRING GUIDE	1
1438	9120930	9/32 I.D. X 5/8 O.D. X .051/.080 THICK SAE FLAT WASHER (1/4)-PK-10	1
1439	9121270	1/4-20 X 1 HEX BOLT - PACK OF 10	1
1440	7691171	COMPRESSION SPRING	1
1441	3190191	STRING GUARD	1

LOWER BRUSH DRIVE ASSEMBLY

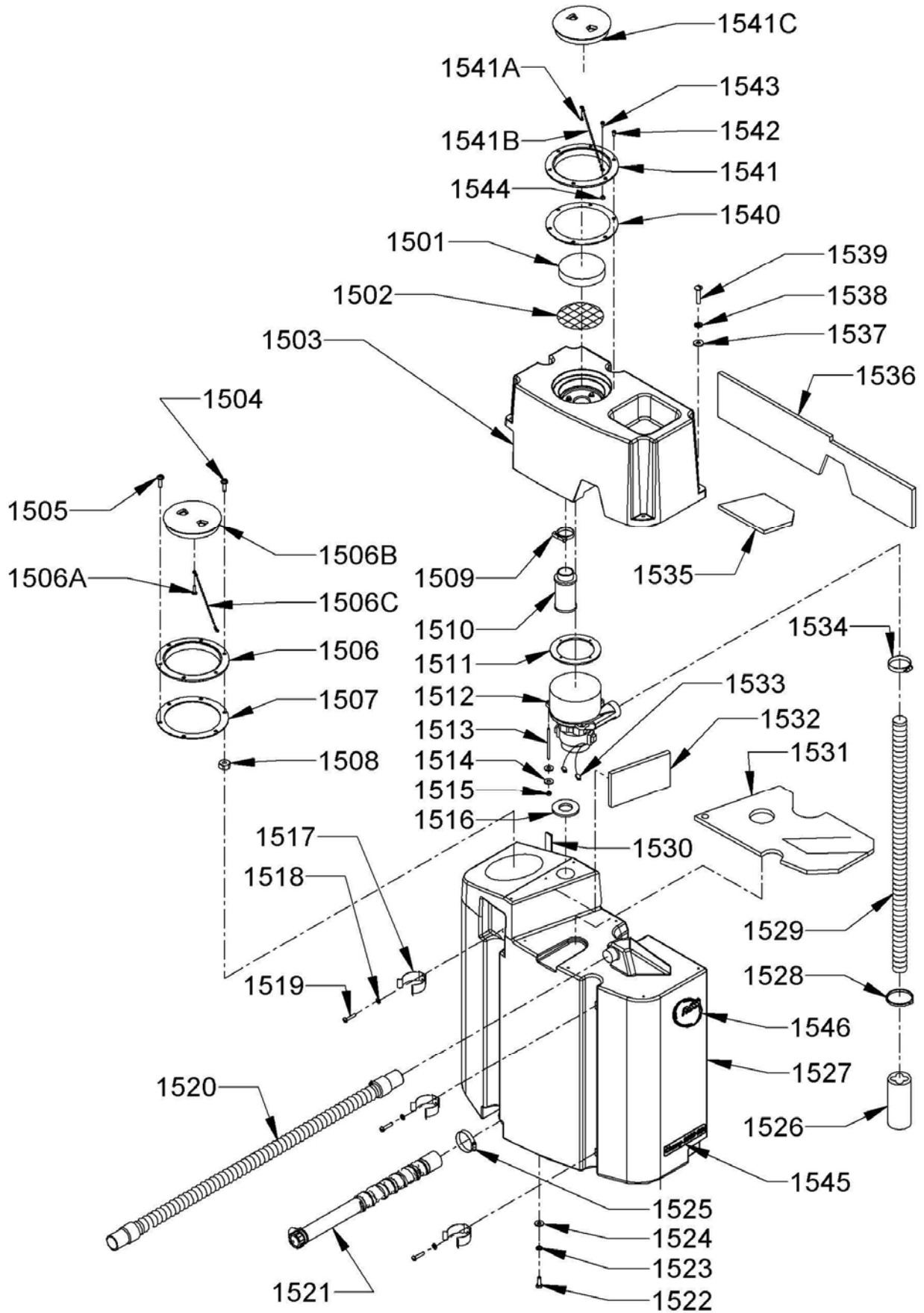


<u>ITEM</u>	<u>PART NO.</u>	<u>DESCRIPTION</u>	<u>QTY</u>
1442	8791070	HOSE - VINYL 3/8" I.D. X 1/2" O.D. (CUT TO 18")	1.5'
1443	7692621	SOLUTION SOLENOID VALVE	1
1447	9120880	1/4 SPLIT LOCK WASHER - PACK OF 10	2
1448	9121170	1/4-20 X 1/2 HEX BOLT - PACK OF 10	2
1449	9590161	TEE FITTING (SIDEKICK ONLY)	1
1450	8791180	HOSE - VINYL 1/2" I.D. X 3/4" O.D. (CUT TO 2") (SIDEKICK ONLY)	.2'
1451	3394251	LOW SENSOR WITH CONNECTOR (SIDEKICK ONLY) - INCLUDES:	1
	3394291	CONNECTOR, FEMALE (SIDEKICK ONLY)	1
	3394311	TERMINAL, FEMALE (SIDEKICK ONLY)	3
1452	8791180	HOSE - VINYL 1/2" I.D. X 3/4" O.D. (CUT TO 8 3/8") (SIDEKICK ONLY)	.7'
1453	3394281	FITTING, 3/8" FPT X 1/2" O.D. HOSE (SIDEKICK ONLY)	1
1454	9590321	TUBING, 1/4" O.D. NYLON (65" LONG) (SIDEKICK ONLY)	1
1455	9590221	FITTING, JACO, 1/4" NPT X 1/4" O.D. TUBE (SIDEKICK ONLY)	1
1456	7692841	FITTING, 90° ELBOW, 3/8" FPT X 1/2" O.D. HOSE (SIDEKICK ONLY)	1
1457	9123105	3/4 I.D. X 1 1/4 O.D. X .071/.082 THICK FLAT WASHER (11 GA)-PK-5	2

RECOVERY TANK ASSEMBLY

ITEM	PART NO.	DESCRIPTION	QTY
1501	7690791	VAC MOTOR FILTER	1
1502	7690781	VAC MOTOR SCREEN	1
1503	7693861	VAC MOTOR COVER	1
1504	9120460	#10-24 X 1 1/4 ROUND HEAD PHILLIPS MACHINE SCREW - PACK OF 10	1
1505	9120790	#10 X 5/8 PAN HEAD PHILLIPS SHEET METAL SCREW - PACK OF 10	5
1506	2690889	RECOVERY TANK LID ASSEMBLY – INCLUDES:	1
	2690881	RECOVERY TANK LID ASSEMBLY – INCLUDES:	1
	2690921	CLEAR RING, RECOVERY TANK	1
1506B	2690911	LID - CLEAR, RECOVERY TANK	1
1506A	9120205	#8 X 1/2 PAN HEAD PHILLIPS SHEET METAL SCREW - PK OF 3	1
1506C	2690931	LID CHAIN, RECOVERY TANK	1
1507	2690891	RECOVERY TANK LID GASKET	1
1508	9120350	#10-24 HEX NUT WITH NY-LOK INSERT	1
1509	4894081	NYLON HOSE CLAMP - 1 19/32" TO 1 13/16" DIAMETER	1
1510	2391541	FLOAT SCREEN ASSEMBLY	1
1511	2490561	GASKET - VAC MOTOR	1
1512	2690551	VAC MOTOR, 36 VOLT	1
	2792571	REPLACEMENT CARBON BRUSH	2
1513	9121363	1/4-20 X 4 1/2" FULLY THREADED STUD - PACK OF 2	3
1514	9120930	9/32 I.D. X 5/8 O.D. X .051/0080 THICK SAE FLAT WASHER (1/4)-PK-10	2
1515	9120900	1/4-20 HEX NUT WITH NY-LOK INSERT - PACK OF 10	3
1516	7691351	GASKET - 1 1/2" I.D. X 3" O.D.	1
1517	7691921	SPRING CLIP – HOSE	3
1518	9120030	#6 SPLIT LOCK WASHER - PACK OF 10	6
1519	9120050	#6-32 X 5/16 ROUND HEAD PHILLIPS MACHINE SCREW - PACK OF 10	6
1520	7690951	VACUUM HOSE WITH CUFFS	1
1521	7695341	DRAIN HOSE, RECOVERY TANK	1
1522	9122220	3/8-16 X 3/4 HEX HEAD BOLT - PACK OF 10	2
1523	9122100	3/8 SPLIT LOCK WASHER - PACK OF 10	2
1524	9121400	3/8 I.D. X 7/8 O.D. X .064/.104 THICK WROUGHT WASHER (5/16)-PK-10	2
1525	4495441	HOSE CLAMP - 1 9/16" TO 2 1/2" DIAMETER	1
1526	7691261	EXHAUST MUFFLER TUBE	1
1527	7690021	RECOVERY TANK	1
1528	9123000	1/8 X 11" WIRE TIE - PACK OF 5	1
1529	7693901	FLEXIBLE VACUUM MOTOR DISCHARGE HOSE	1
1530	8891180	GASKET - 1" X 1/4" NEOPRENE	2
1531	7693841	VAC COVER INSULATION – BOTTOM	1
1532	7693871	VAC COVER INSULATION - SIDE – SMALL	1
1533	2690581	1/4 SPADE MALE TERMINAL 10 X 12 YELLOW	2
1534	4495441	HOSE CLAMP - 1 9/16" TO 2 1/2" DIAMETER	1
1535	7693891	VAC COVER INSULATION – TOP	1
1536	7693881	VAC COVER INSULATION - SIDE – LARGE	1
1537	9120933	.250 I.D. X .875 O.D. X .075 THICK FLAT WASHER - PACK OF 6	6
1538	9120330	#10 EXTERNAL STAR LOCK WASHER - PACK OF 10	6
1539	9120535	#10-24 X 1 1/2 TRUSS HEAD PHILLIPS MACHINE SCREW - PACK OF 5	6
1540	2690891	RECOVERY TANK LID GASKET	1
1541	2690889	RECOVERY TANK LID ASSEMBLY – INCLUDES:	1
	2690881	RECOVERY TANK LID ASSEMBLY – INCLUDES:	1
	2690921	CLEAR RING, RECOVERY TANK	1
1541C	2690911	LID - CLEAR, RECOVERY TANK	1
1541B	2690931	LID CHAIN, RECOVERY TANK	1
1541A	9120205	#8 X 1/2 PAN HEAD PHILLIPS SHEET METAL SCREW - PACK OF 3	1
1542	9120790	#10 X 5/8 PAN HEAD PHILLIPS SHEET METAL SCREW - PACK OF 10	5
1543	9120460	#10-24 X 1 1/4 ROUND HEAD PHILLIPS MACHINE SCREW - PACK OF 10	1
1544	9120350	#10-24 HEX NUT WITH NY-LOK INSERT	1
1545	7695871	CHAMP 35 RB LABEL	2
1546	2694921	NSS LOGO LABEL	2

RECOVERY TANK ASSEMBLY



NOTES

NOTES

ACCESSORIES

<u>PART NO.</u>	<u>DESCRIPTION</u>
	7990151 15" GREEN ECOSTRIP PAD - CASE 10
	5990731 SPRING CLIP PAD HOLDER SET
	7691829 OVERHEAD LIGHT KIT
	6499351 OVERHEAD LIGHT – LIGHT ONLY
	2691501 BATTERY - 350 AMP HOUR - 6 VOLT DC – WET
	7691401 BATTERY – 430 AMP HOUR – 6 VOLT DC - WET
	3390361 BATTERY - 235 AMP HOUR - 6 VOLT DC – WET
	3394901 BATTERY - 235 AMP HOUR - 6 VOLT DC - AGM
	3394911 BATTERY - 330 AMP HOUR - 6 VOLT DC – AGM
	9123220 BATTERY TERMINAL BOOT – PACK OF 1
	2698441 DUAL PRO CHARGER FAN REFURBISHMENT KIT
	2698421 DUAL PRO CHARGER RING TERMINAL REFURBISHMENT KIT
	7694309 VAC MOTOR - 36 VOLT
	2392129 WET PICKUP KIT, INCLUDES:
	2291211 5" CONNECTOR, ALUMINUM
	2391231 VACUUM HOSE, 7 FEET
	2391241 HOSE STRAP
	5797011 TOOL - SQUEEGEE WITH WHEELS - 15"
	5790469 WAND SET 1 1/2 – INCLUDES
	5790471 LOWER WAND - 1 1/2"
	5790481 UPPER WAND - 1 1/2"
	2392179 BRUSH / SQUEEGEE KIT, INCLUDES:
	2291211 5" CONNECTOR, ALUMINUM
	2290209 STEEL WAND, 1 PIECE
	2391231 VACUUM HOSE, 7 FEET
	3097849 14" BRUSH / SQUEEGEE TOOL
	



NSS® Enterprises, Inc.

3115 Frenchmens Road
 Toledo, Ohio 43607
 PHONE (419) 531-2121
 FAX (419) 531-3761

mailus@nss.com
www.nss.com