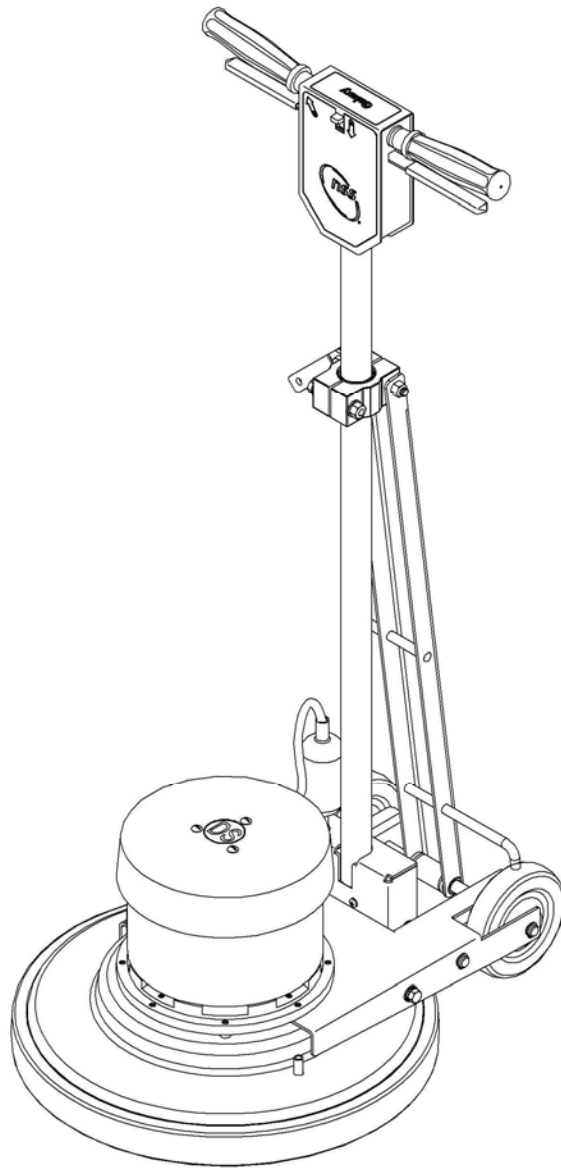
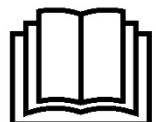


PARTS LIST

GALAXY DS FLOOR MACHINE



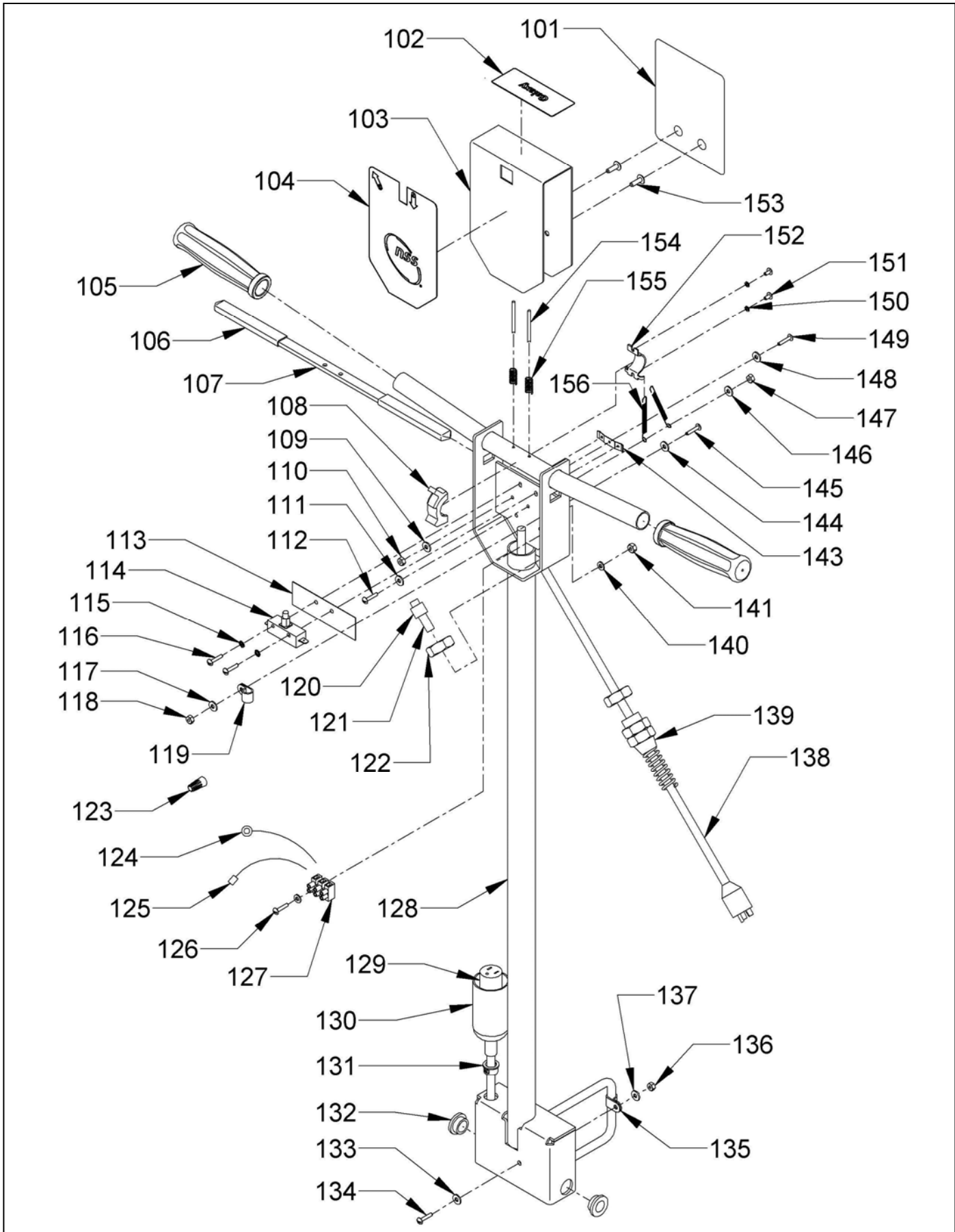
SAVE THESE INSTRUCTIONS



HANDLE TUBE ASSEMBLY

ITEM	PART NO.	DESCRIPTION	QTY
101	0190681	SAFETY DECAL	1
102	0397041	IDENTIFIER LABEL – GALAXY	1
103	0393351	SWITCH BOX COVER	1
104	0397061	SWITCHBOX LABEL	1
105	0393441	HANDLE GRIP	2
106	0393411	GRIP - SWITCH LEVER	2
107	0393401	SWITCH LEVER	1
108	0393521	SAFETY LOCKOUT	1
109	0393891	M4 FLAT WASHER	2
110	0393901	M4 X .07 HEX NUT WITH NY-LOK INSERT	2
111	0393891	M4 FLAT WASHER	1
112	0393911	M4 X .07 X 16mm PAN HEAD PHILLIPS MACHINE SCREW	1
113	0393421	SWITCH INSULATOR	1
114	5390211	SWITCH	1
115	9120130	#6 STAR LOCK WASHER - PACK OF 10	2
116	9120100	#6-32 X 1" LONG RND HD PHILLIPS MACHINE SCREW - PACK OF 10	2
117	0393891	M4 FLAT WASHER	1
118	0393901	M4 X .07 HEX NUT WITH NY-LOK INSERT	1
119	5294201	CORD CLAMP	1
120	0393311	CORD CLAMP - CRIMP ON	1
121	8791071	VINYL TUBE - 230 VOLT	.2ft
122	5390261	REPLACEMENT STRAIN RELIEF NUT	2
123	5391321	ORANGE WIRE NUT	1
124	0393081	WIRE - GROUND/TERMINAL - 230 VOLT	1
125	0393091	WIRE - DEAD/TERMINAL - 230 VOLT	1
126	0393871	M3 X .05 X 25mm PAN HEAD PHILLIPS MACHINE SCREW - 230 VOLT	1
127	5391931	TERMINAL BLOCK - 230 VOLT	1
128	0393371	HANDLE	1
129	0393451	HANDLE CORD	1
130	0393631	PLUG/CORD COVER – HANDLE	1
131	0393341	HEYCO CORD GROMMET	1
132	0393641	BUSHING - LOWER HANDLE	2
133	0393891	M4 FLAT WASHER	1
134	0393911	M4 X .07 X 16mm PAN HEAD PHILLIPS MACHINE SCREW	1
135	5294201	CORD CLAMP	1
136	0393901	M4 X .07 HEX NUT WITH NY-LOK INSERT	1
137	0393891	M4 FLAT WASHER	1
138	5091561	CORD 50 FEET 14-3 - 120 VOLT	1
	0393471	SHUKO CORD - 50 FEET - 16-3 – 230 VOLT	1
139	0393491	CORD STRAIN RELIEF 120 VOLT	1
	0299531	CORD STRAIN RELIEF 230 VOLT	1
140	0393851	M3 FLAT WASHER - 230 VOLT	2
141	0393861	M3 X .05 HEX NUT WITH NY-LOK INSERT - 230 VOLT	1
143	9120025	#6-32 DOUBLE HOLE SPEED NUT	1
144	0393891	M4 FLAT WASHER	1
145	0393911	M4 X .07 X 16mm PAN HEAD PHILLIPS MACHINE SCREW	1
146	0393891	M4 FLAT WASHER	1
147	0393901	M4 X .07 HEX NUT WITH NY-LOK INSERT	1
148	0393891	M4 FLAT WASHER	1
149	0393911	M4 X .07 X 16mm PAN HEAD PHILLIPS MACHINE SCREW	2
150	0393841	M3 EXTERNAL STAR LOCK WASHER	2
151	0393881	M3 X .05 X 8mm PAN HEAD PHILLIPS THREAD CUTTING SCREW	2
152	0393511	SAFETY LOCKOUT BRACKET	1
153	0393931	M5 X .08 X 20mm PAN HEAD PHILLIPS MACHINE SCREW	2
154	0393561	ROLL PIN	2
155	0393391	SWITCH LEVER SPRING	2
156	0393381	SPRING	2

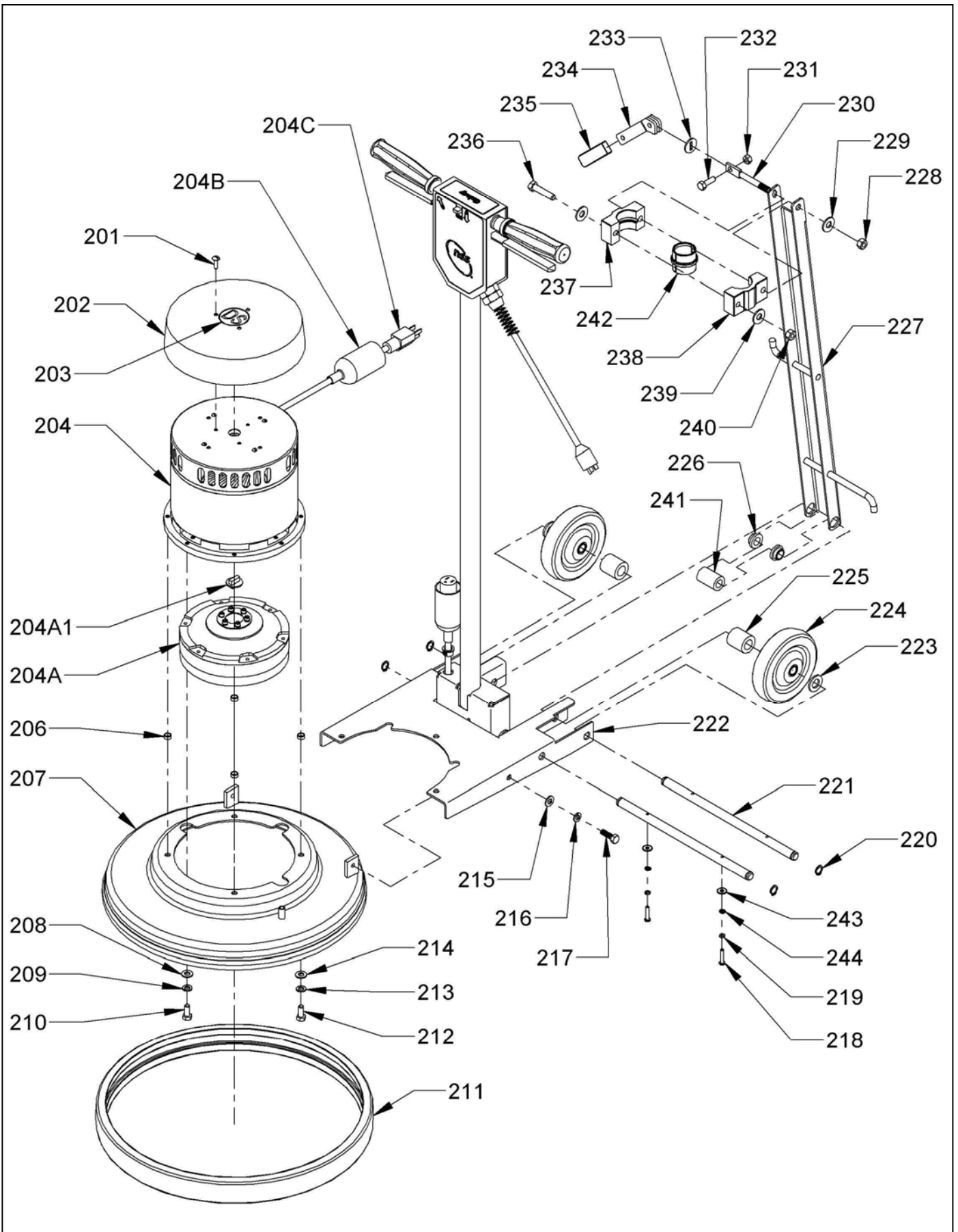
HANDLE TUBE ASSEMBLY



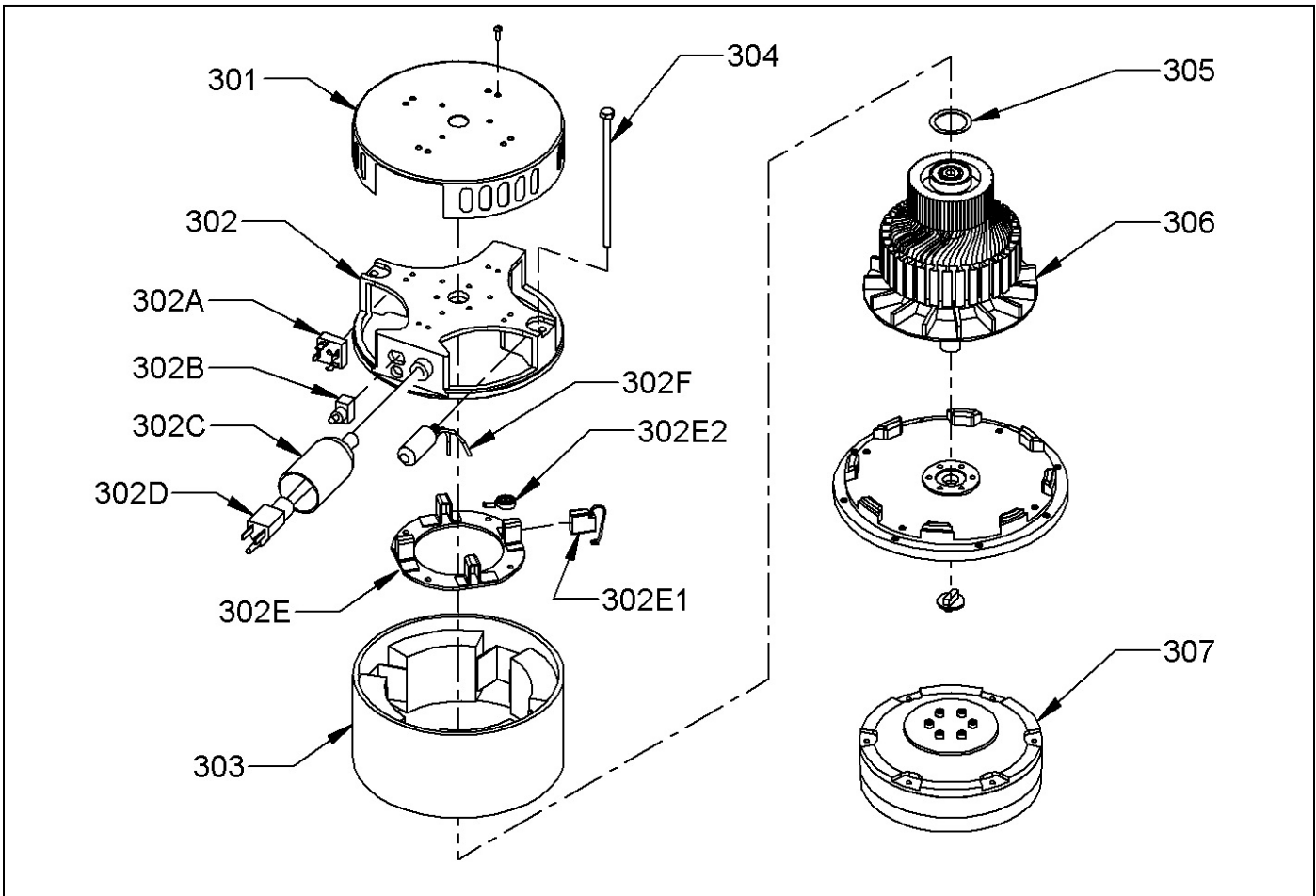
BASE / HANDLE ASSEMBLY

<u>ITEM</u>	<u>PART</u>	<u>DESCRIPTION</u>	<u>QTY</u>
201	0393781	#10-32 X 1/2 TRUSS HEAD SCREW	3
202	0393771	DRIP COVER, GALAXY DS	1
203	0397051	GALAXY DS LABEL	1
204	0394921	1.5HP 120V 50/60HZ DUAL SPEED MOTOR AND GEAR BOX - INCLUDES:	1
204A	0394611	GEARBOX - 10:1 2P W/END SHIELD & FLEX COUPLING	1
204A1	5095301	FLEXIBLE COUPLING	1
204B	0393621	PLUG / CORD COVER - MOTOR	1
204C	0394581	MOTOR CORD	1
204	0394951	1.5HP 230V 50/60HZ DUAL SPEED MOTOR AND GEAR BOX - INCLUDES:	1
204A	0394611	GEARBOX - 10:1 2P W/END SHIELD & FLEX COUPLING	1
204A1	5095301	FLEXIBLE COUPLING	1
204B	0393621	PLUG / CORD COVER - MOTOR	1
204C	0394581	MOTOR CORD	1
206	0393301	SPACER - (.344 I.D. X .5 O.D. X .188 L.)	4
207	0393751	17" SKIRT	1
	0393761	20" SKIRT	1
208	0393791	11/32 I.D. X 11/16 O.D. X .051/.080 THICK FLAT WASHER	4
209	0393811	5/16-18 SPLIT LOCK WASHER	4
210	0393821	5/16-18 X 1 HEX BOLT	4
211	0393751	17" BUMPER	1
	0393761	20" BUMPER	1
212	0393821	5/16-18 X 1 HEX BOLT	4
213	0393811	5/16-18 SPLIT LOCK WASHER	4
214	0393791	11/32 I.D. X 11/16 O.D. X .051/.080 THICK FLAT WASHER	4
215	0393791	11/32 I.D. X 11/16 O.D. X .051/.080 THICK FLAT WASHER	2
216	0393811	5/16-18 SPLIT LOCK WASHER	2
217	0393821	5/16-18 X 1 HEX BOLT	2
218	0393941	M5 X .08 X 30mm PAN HEAD PHILLIPS MACHINE SCREW	2
219	0393921	M5 X .08 HEX JAM NUT	2
220	0393251	RETAINING RING	4
221	0393221	AXLE AND HANDLE PIVOT	2
222	0393011	BASE	1
223	0393991	M14 FLAT WASHER	2
224	0393231	WHEEL 5" - SOFT GRAY RUBBER	2
225	0393361	SPACER, WHEEL	2
226	0393641	SPACER - LOWER HANDLE	2
227	0396321	HANDLE BRACE	1
228	0393801	3/8-16 HEX NUT WITH NY-LOK INSERT	1
229	0393831	7/16 I.D. X 1. O.D. X .075/.080 THICK FLAT WASHER (3/8)	1
230	0393141	FLATTENED CLAMP BOLT	1
231	0393961	M8 X 1.25 HEX NUT WITH NY-LOK INSERT	1
232	0393971	M8 X 1.25 X 25mm HEX BOLT	1
233	0393131	SLOTTED WASHER	1
234	0393121	CLAMP LEVER	1
235	0393321	HANDLE GRIP	1
236	0393981	M8 X 1.25 X 65mm HEX BOLT	1
237	0394171	HANDLE CLAMP - RIGHT	1
238	0394161	HANDLE CLAMP - LEFT	1
239	0393951	M8 FLAT WASHER	2
240	0393961	M8 X 1.25 HEX NUT WITH NY-LOK INSERT	1
241	0396511	HANDLE SPACER	1
242	0394181	SPLIT BUSHING	1
243	6391721	M5 FLAT WASHER	2
244	6392291	M5 SPLIT LOCK WASHER	2

BASE / HANDLE ASSEMBLY

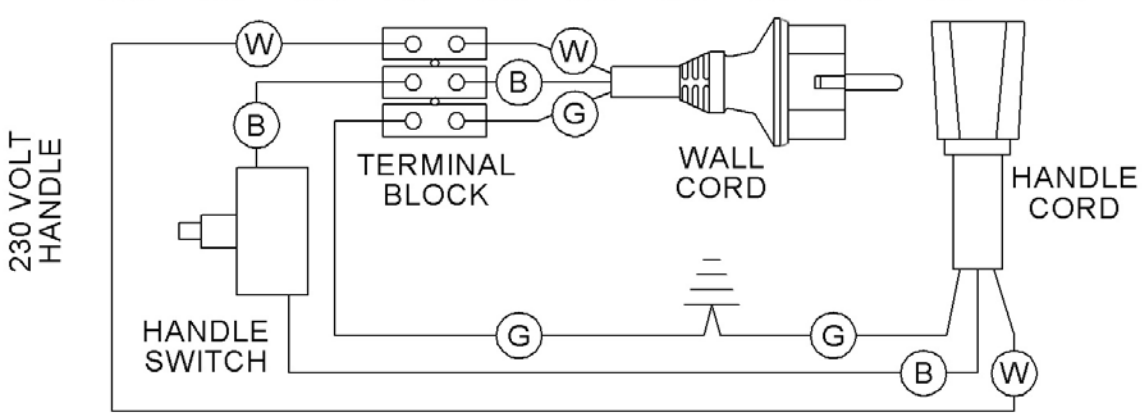
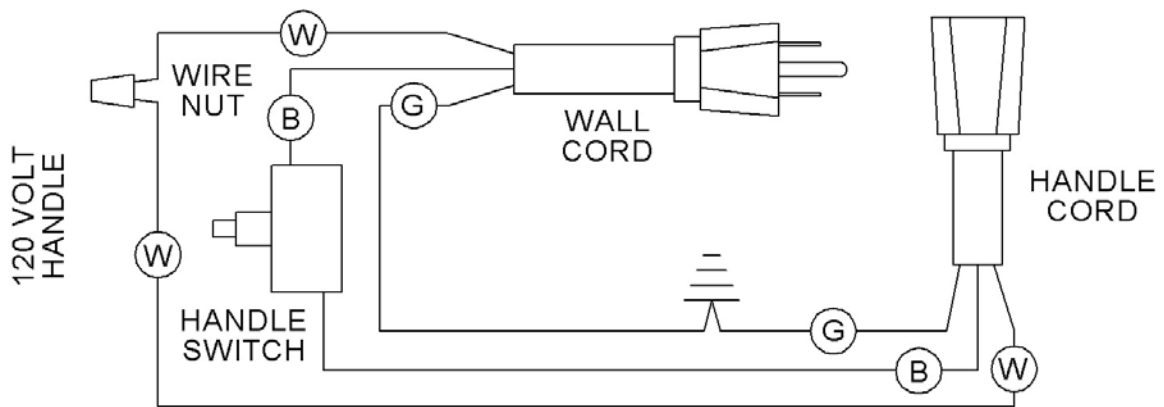
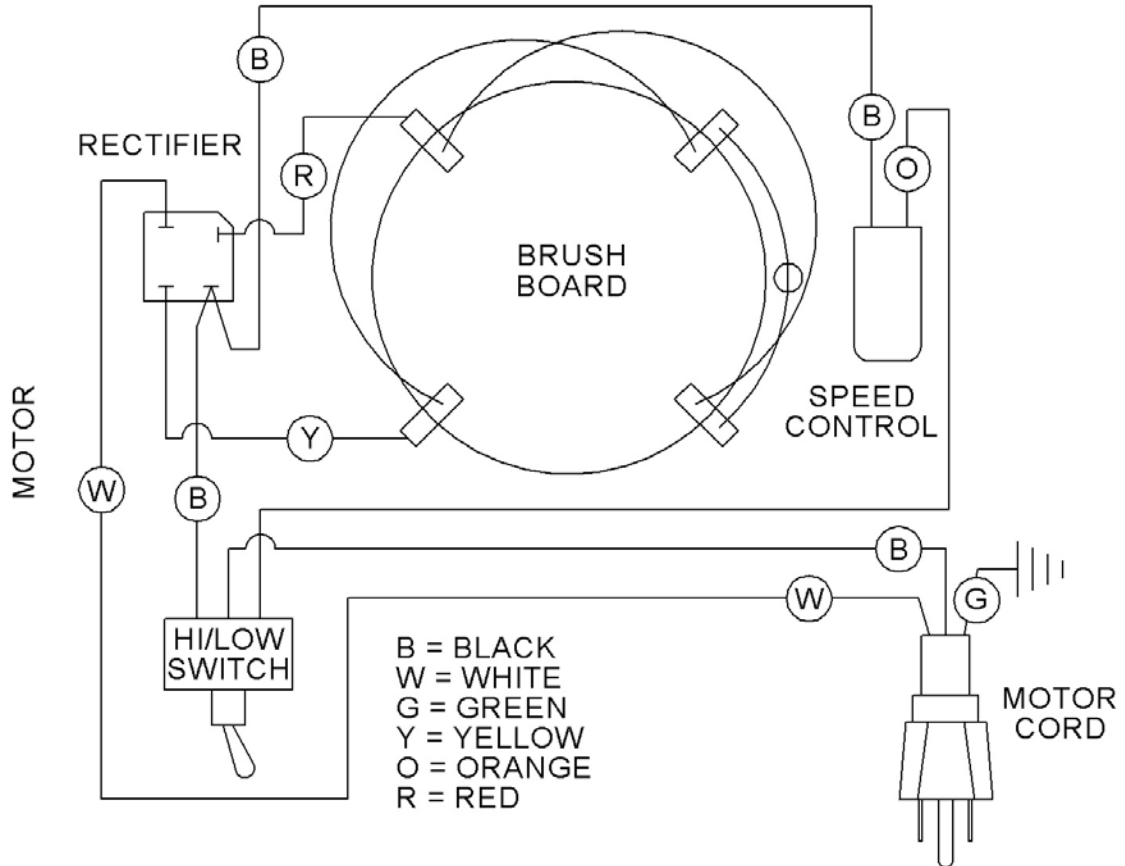


MOTOR ASSEMBLY



<u>ITEM</u>	<u>PART NO.</u>	<u>DESCRIPTION</u>	<u>QTY</u>
301	0395001	COMMUTATOR BRACKET COVER – CHROMATE	1
302	0394981	COMMUTATOR BRACKET ASSEMBLY 120 VOLT - INCLUDES:	1
	0394991	COMMUTATOR BRACKET ASSEMBLY 230 VOLT - INCLUDES:	1
302	5992111	COMMUTATOR BRACKET	1
302A	5492741	RECTIFIER - 120 VOLT	1
	5992121	RECTIFIER - 230 VOLT	1
302B	0394961	SPEED SELECTOR SWITCH	1
	0394971	SPEED SELECTOR PLATE	1
	0693141	RUBBER SWITCH BOOT	1
302C	0393621	PLUG / CORD COVER – MOTOR	1
302D	0394581	MOTOR CORD	1
302E	5991611	BRUSH BOARD ASSEMBLY - 120 VOLT - INCLUDES:	1
	5992071	BRUSH BOARD ASSEMBLY - 230 VOLT - INCLUDES:	1
302E1	2393241	CARBON BRUSH - 120 & 230 VOLT	4
302E2	2797571	BRUSH SPRING	4
302F	5992091	SPEED CONTROL - 120 VOLT	1
	5992101	SPEED CONTROL - 230 VOLT	1
303	5991521	STATOR FRAME ASSEMBLY W/CLIPS & MAG - 120 & 230 VOLT	1
304	5991701	THRU BOLTS	2
305	-----	HELICAL WASHER	1
306	5992031	ARMATURE ASSEMBLY - 120 VOLT - INCLUDES:	1
	5992041	ARMATURE ASSEMBLY - 230 VOLT - INCLUDES:	1
	5991551	BEARING - TOP END	1
307	5992081	GEARBOX W/ENDSHIELD & FLEX COUPLING	1
	5095301	FLEXIBLE COUPLING	1

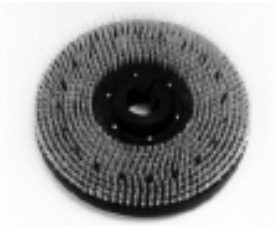
WIRE DIAGRAM



ACCESSORIES



2890101 PLASTIC CLUTCH PLATE - 5" DIAMETER - 6 HOLES
 2890981 PLASTIC CLUTCH PLATE - 4" DIAMETER - 3 HOLES
 2890991 ALUMINUM CLUTCH PLATE - 5" DIAMETER - 6 HOLES
 2893001 ALUMINUM CLUTCH PLATE - 4" DIAMETER - 3 HOLES



2897551 17" H.S. PAD DRIVER (DS MACHINE)
 2897211 17" POLY BACK TUFTED PAD DRIVER
 2897601 17" STRUCTURAL FOAM PAD DRIVER
 2897201 17" POLY BACK NYLON FILL SCRUB BRUSH - LIGHT TO MEDIUM SCRUB
 2897711 17" POLY BACK NYLON GRIT FILL SCRUB BRUSH - HEAVY CONCRETE SCRUB
 2897821 17" POLY BACK NYLON - SOFT SCRUB BRUSH - CARPET ONLY
 2897901 17" POLY BACK SCRUB GRIT BRUSH - MILD TO MEDIUM SCRUB



2892551 20" H.S. PAD DRIVER (DS MACHINE)
 2892211 20" POLY BACK TUFTED PAD DRIVER
 2892601 20" STRUCTURAL FOAM PAD DRIVER
 2892201 20" POLY BACK NYLON FILL SCRUB BRUSH - LIGHT TO MEDIUM SCRUB
 2892651 20" POLY BACK NYLON FILL SCRUB BRUSH - WITH GUIDE FOR CARPET SHAMPOOING
 2892711 20" POLY BACK NYLON GRIT FILL SCRUB BRUSH - HEAVY CONCRETE SCRUB
 2892031 20" PLASTIC BACK BASSINE SCRUB BRUSH - GENERAL SCRUB
 2892701 20" POLY BRUSH - SHOWER FEED - STANDARD CARPET SCRUB
 2892901 20" POLY BACK SCRUB GRIT BRUSH - MILD TO MEDIUM SCRUB



NOTE: ALL PADS COME 5 (FIVE) PADS PER CASE
 7991751 17" LITE BLUE POLISH/BURNISH PAD - SOFT FINISH
 7991741 17" UHS CLEAN BUFF PAD - REMOVE SCUFF MARKS NOT FINISH
 7991731 17" BLUE SCRUB PAD - TOP SCRUB AND LIGHT FINISH REMOVAL
 7991721 17" GREEN SCRUB PAD - HEAVY FINISH REMOVAL
 7991701 17" BLACK STRIP PAD - REMOVES FINISH COMPLETELY
 7992051 20" LITE BLUE POLISH/BURNISH PAD - SOFT FINISH
 7992041 20" UHS CLEAN BUFF PAD - REMOVE SCUFF MARKS NOT FINISH
 7992031 20" BLUE SCRUB PAD - TOP SCRUB AND LIGHT FINISH REMOVAL
 7992021 20" GREEN SCRUB PAD - HEAVY FINISH REMOVAL
 7992001 20" BLACK STRIP PAD - REMOVES FINISH COMPLETELY
 7992011 20" BROWN STRIP PAD - REMOVES FINISH COMPLETELY



5094771 DELUXE SOLUTION TANK - 3.5 GALLON WITH BRASS VALVES

TAMPER PROOF HARDWARE

ITEM	PART NO.	DESCRIPTION
153	9120833	M5 X .08 X 20mm PAN HEAD PHILLIPS MACHINE SCREW - PK OF 2
201	9120755	#10-32 X 1/2 TRUSS HEAD SCREW - PACK OF 1
209	9121685	5/16-18 X 1 HEX BOLT - PACK OF 8
211	9121685	5/16-18 X 1 HEX BOLT - PACK OF 8
216	9121685	5/16-18 X 1 HEX BOLT - PACK OF 8
227	9122003	3/8-16 HEX NUT - PACK OF 1
230	9121423	5/16-18 HEX NUT - PACK OF 2
235	9121850	5/16-18 X 2.5 HEX BOLT - PACK OF 1
239	9121423	5/16-18 HEX NUT - PACK OF 2



NSS® Enterprises, Inc.

3115 Frenchmens Road
 Toledo, Ohio 43607
 PHONE (419) 531-2121
 FAX (419) 531-3761

mailus@nss.com
www.nss.com